

ECE 111 - Homework #5

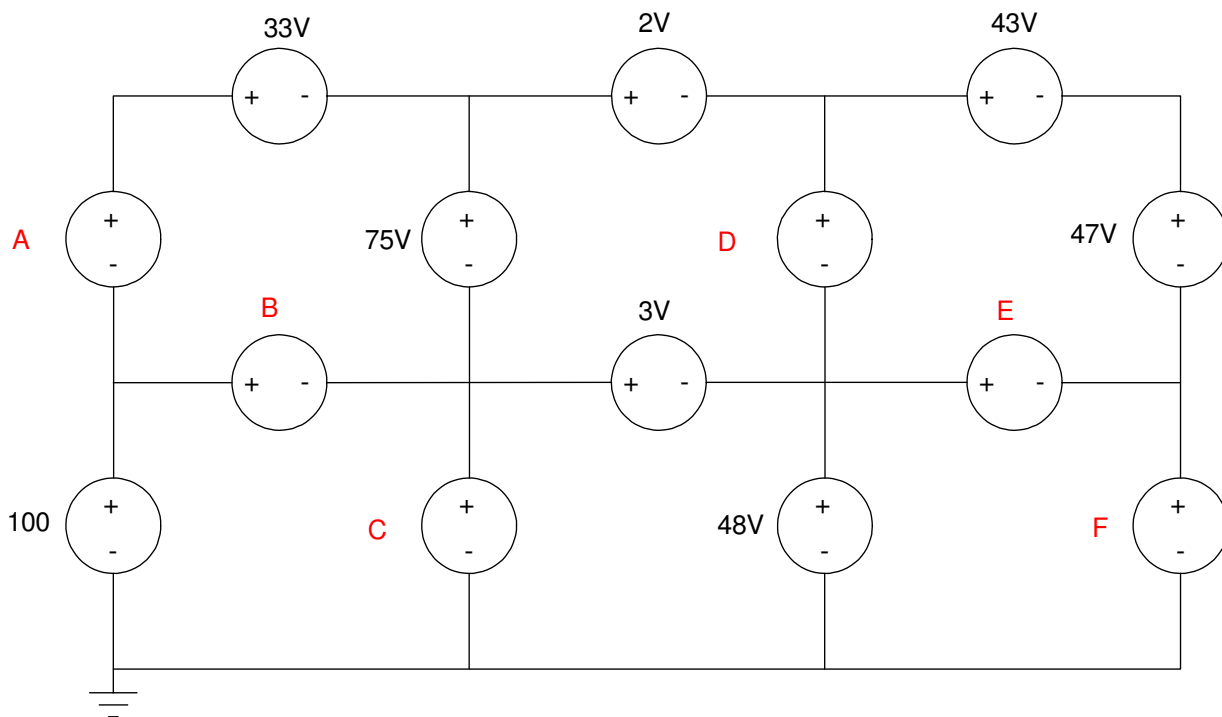
Week #5: EE 206 Circuits I. - Due 11am Tuesday, September 28th, 2021

1) A resistor has the following volts / amps / resistance / power. Determine the missing parameters:

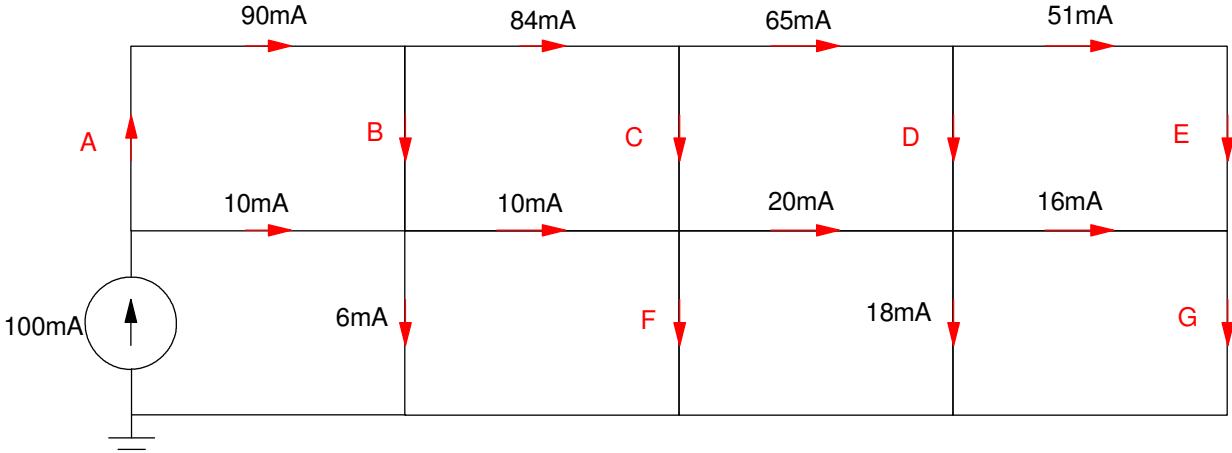
Volts	Amps	Ohms	Watts
12V	2.5A		
12V		8	
	2.5A		200
12V			50

Kirchoff's Laws:

2) Use conservation of voltage to determine the unknown voltages



3) Use conservation of current to determine the unknown currents



Resistors in Series and Parallel

- 4) Find the total resistance seen by the 10V source
- 5) Use voltage division to find V1, V2, and V3.
- 6) Use CircuitLab to find V1, V2, and V3.

