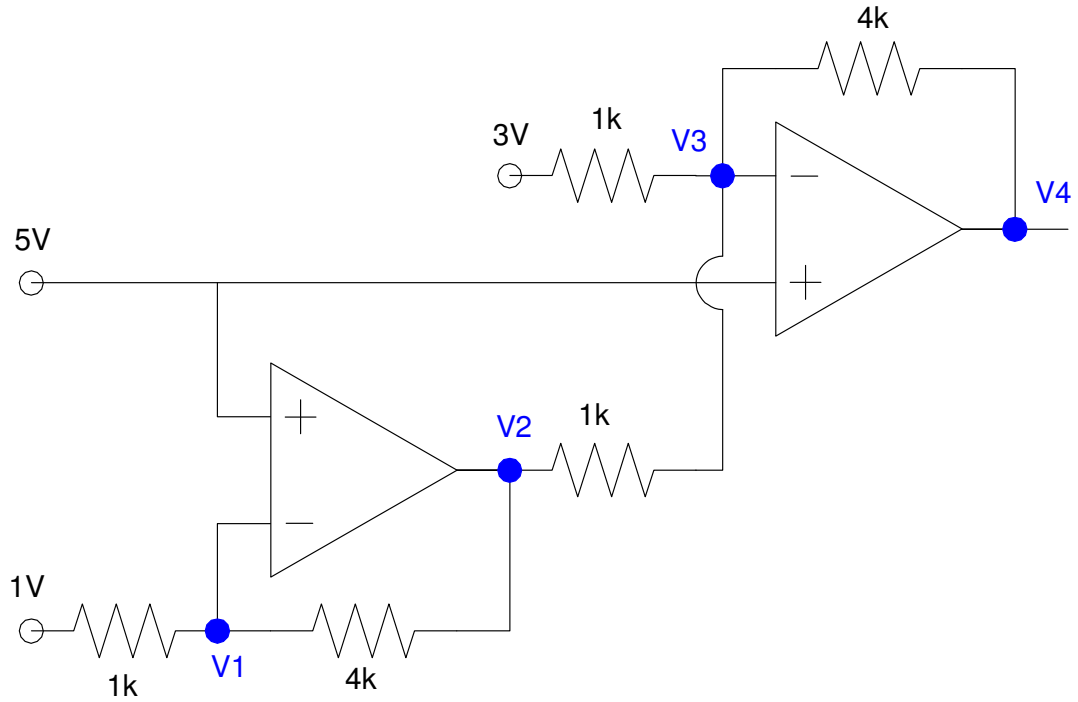


Voltage Nodes with Op-Amps

Write the voltage node equations for the following op-amp circuits

Solve for the voltages V_1 .. V_4



Write the voltage node equations for the following op-amp circuits

Solve for the voltages V1 .. V4

