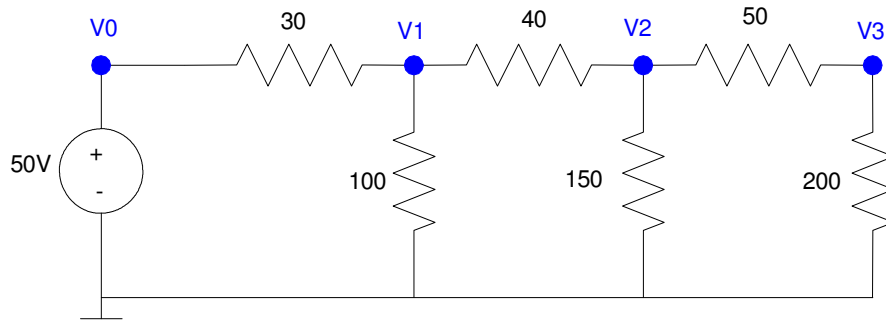


# EE 206: Homework #3

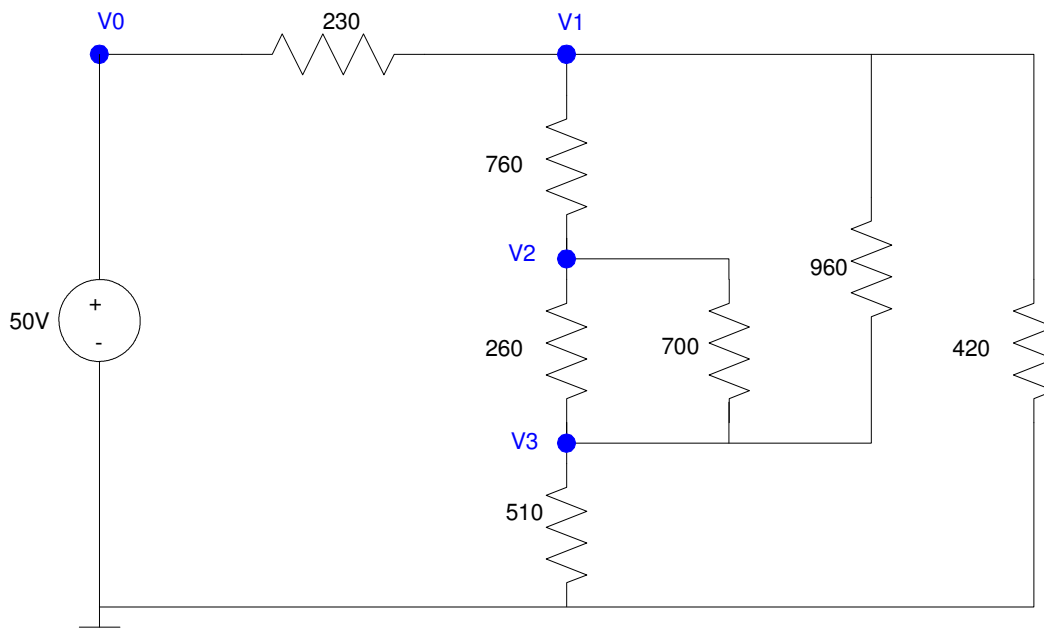
Voltage and Current Division. Voltage Nodes. Due Monday, September 14th

Please make the subject "EE 206 HW#3" if submitting homework electronically to lauren.n.singelmann@ndsu.edu (or on blackboard)



Problem 1-3

- 1) Use voltage division to determine  $V_1$ ,  $V_2$ , and  $V_3$
- 2) Write the voltage node equations for  $V_1$ ,  $V_2$ , and  $V_3$ 
  - Solve for these voltages using Matlab (or similar program)
- 3) Determine  $V_1$ ,  $V_2$ , and  $V_3$  using CircuitLab.



Problem 4-6

- 4) Use voltage division to determine  $V_1$ ,  $V_2$ , and  $V_3$
- 5) Write the voltage node equations for  $V_1$ ,  $V_2$ , and  $V_3$ 
  - Solve for these voltages using Matlab (or similar program)
- 6) Determine  $V_1$ ,  $V_2$ , and  $V_3$  using CircuitLab.

