

# EE 206: Homework #2

Electrical Quantities, Kirchoff's Laws, Resistors in Series and Parallel. Due Wed, Jan 23

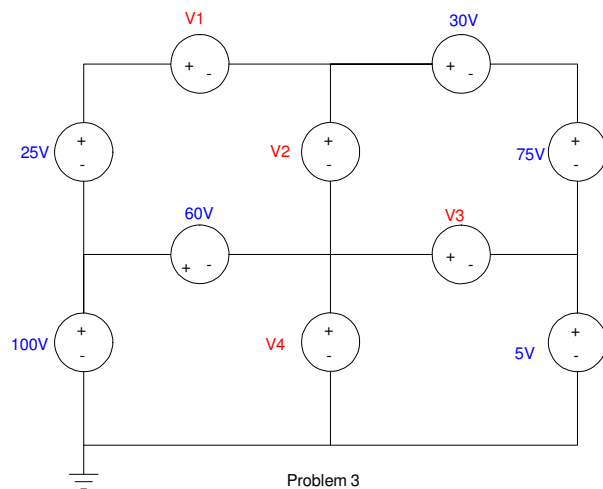
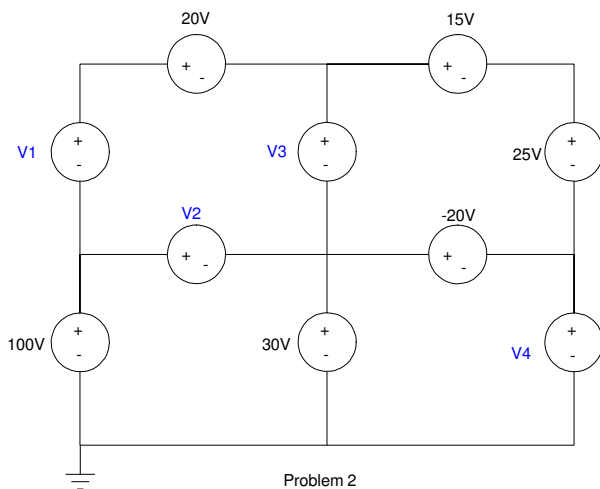
## Electrical Quantities:

1) A resistor has the following volts / amps / resistance / power. Determine the missing parameters:

Volts	Amps	Ohms	Watts
5	10		
5		10	
	5		10
5			10

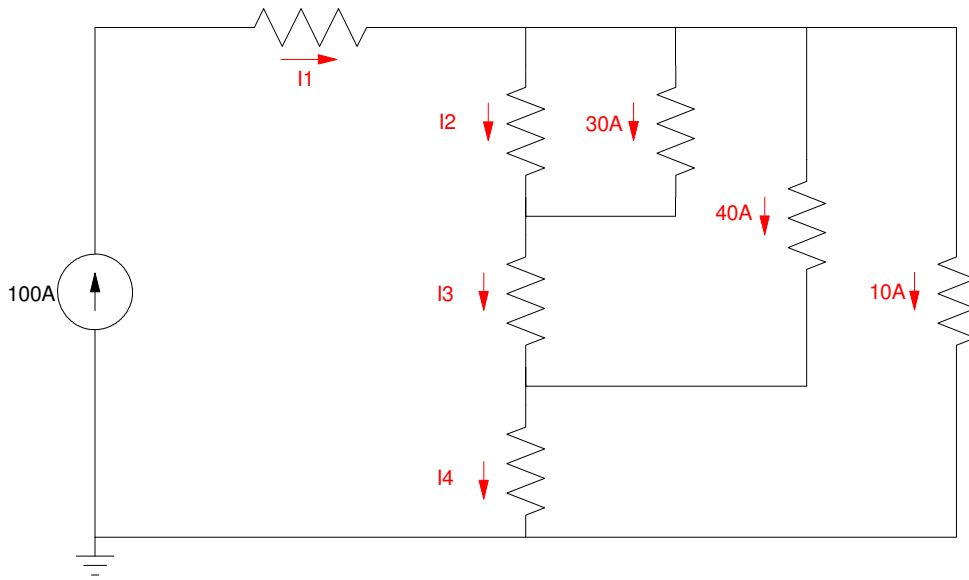
## Kirchoff's Laws:

- Use conservation of voltage to determine the unknown voltages
- Use conservation of voltage to determine the unknown voltages



Problem 2 & 3

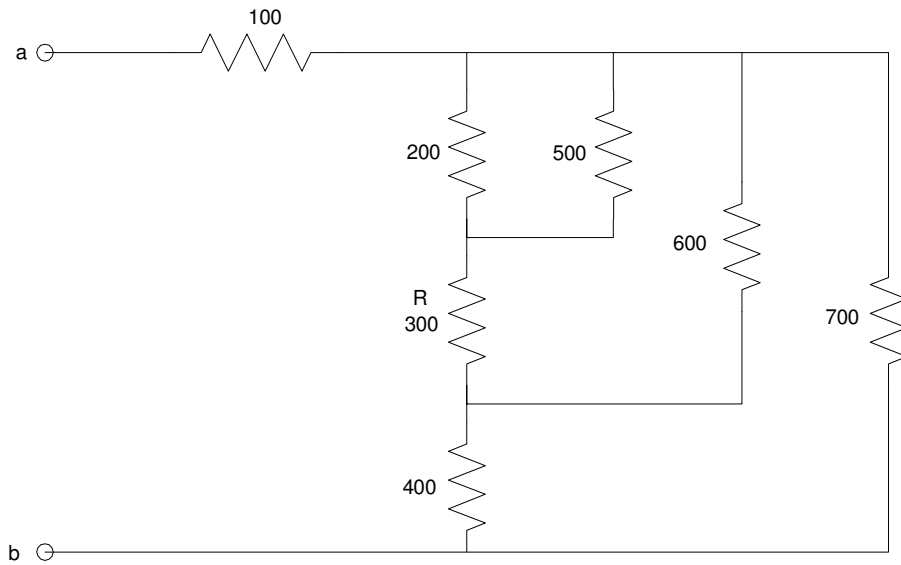
- Use conservation of current to determine the unknown currents
- Change the 100A source to 50A. Use conservation of current to determine the unknown currents. (note: some of the currents may be negative).



Problem 4 & 5

### Resistors in Series and Parallel

- 6) Assume  $R = 300$ . Determine the total resistance,  $R_{ab}$
- 7) Assume the total resistance is  $R_{ab} = 400$  Ohms. Determine  $R$ .



Problem 6 & 7