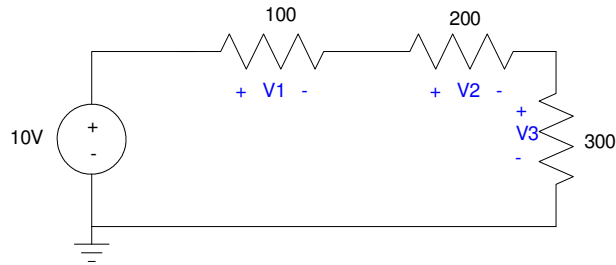


# EE 206: Homework #3

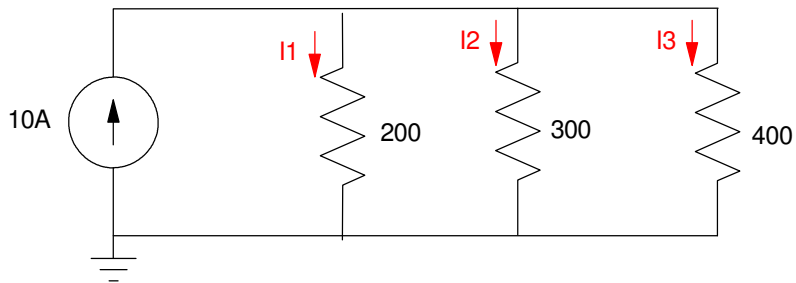
Voltage and Current Division. Voltage Nodes. Due Mon, Jan 28th

## Voltage Division:

- 1) Use voltage division to determine the voltages  $V_1$ ,  $V_2$ , and  $V_3$



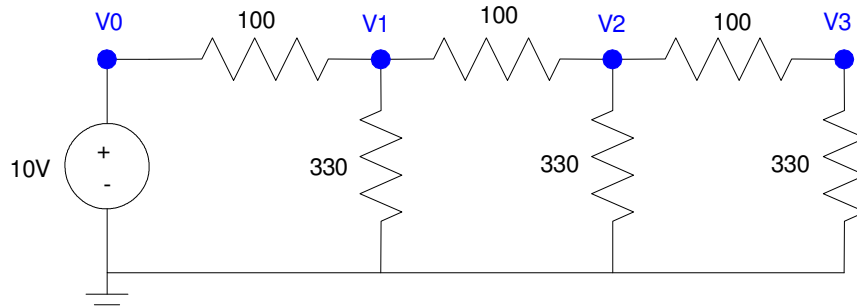
- 2) Use current division to determine the current  $I_1$ ,  $I_2$ , and  $I_3$



## Voltage Nodes:

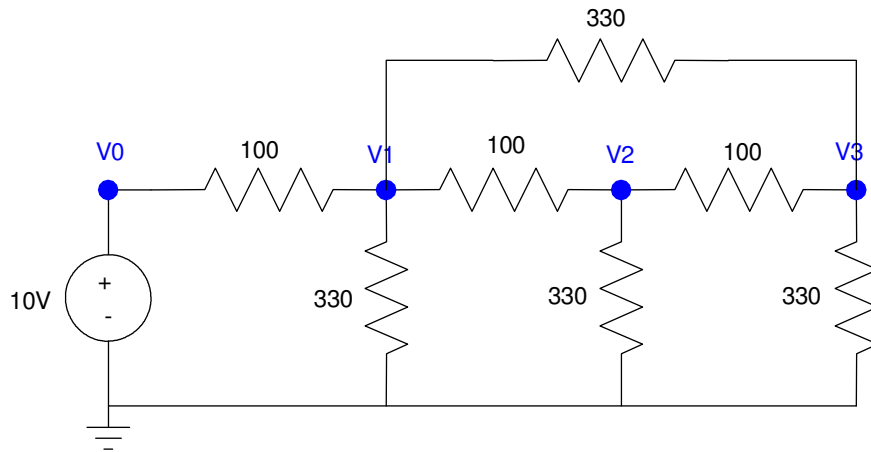
- 3) Write the voltage node equations for the following circuit. Solve for  $V_1$ .. $V_3$  using Matlab (or similar program)
- 4) Check your answers in PartSim (or similar program)

	Calculated prob 3	Simulated prob 4
$V_1$		
$V_2$		
$V_3$		



Circuit for Problem 3 - 4

- 5) Write the voltage node equations for the following circuit. Solve for  $V1 .. V3$  using Matlab (or similar program)
- 6) Check your answers in PartSim (or similar program)



Circuit for Problem 5 - 6

	Calculated prob 5	Simulated prob 6
V1		
V2		
V3		