

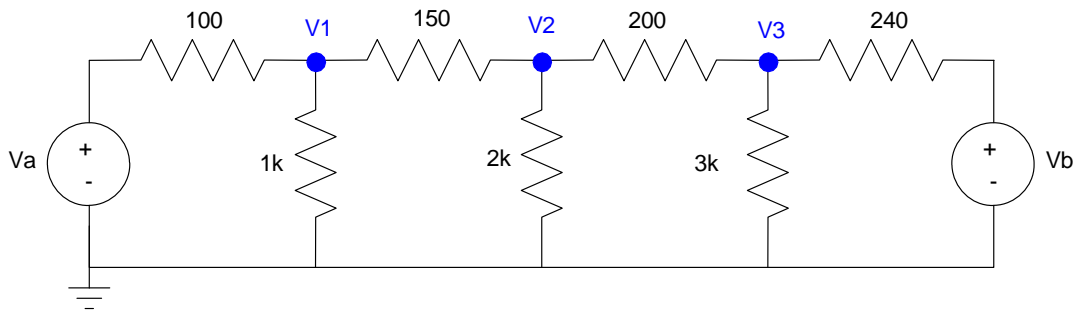
EE 206: Homework #6

Superposition and Op Amps. Due Monday Feb 25th

Superposition

- 1) Use PartSim to determine the voltage at Y assuming $V_a = 10V$, $V_b = 0V$.
- 2) Use PartSim to determine the voltage at Y assuming $V_a = 0V$, $V_b = 5V$.
- 3) Use PartSim to determine the voltage at Y assuming $V_a = 10V$, $V_b = 5V$

Does problem 1 + problem 2 = problem 3?

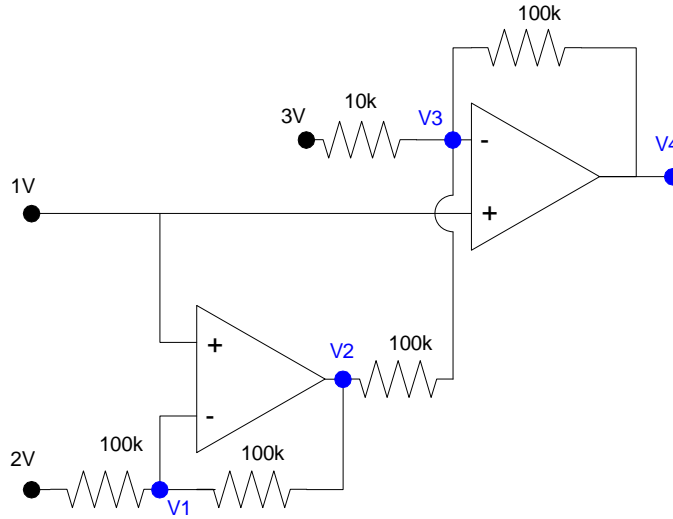


Problem 1 - 3

| | $V_a = 10$ $V_b = 0$ | $V_a = 0$ $V_b = 5$ | $V_a = 10$ $V_b = 5$ |
|----|-------------------------|------------------------|-------------------------|
| V1 | | | |
| V2 | | | |
| V3 | | | |

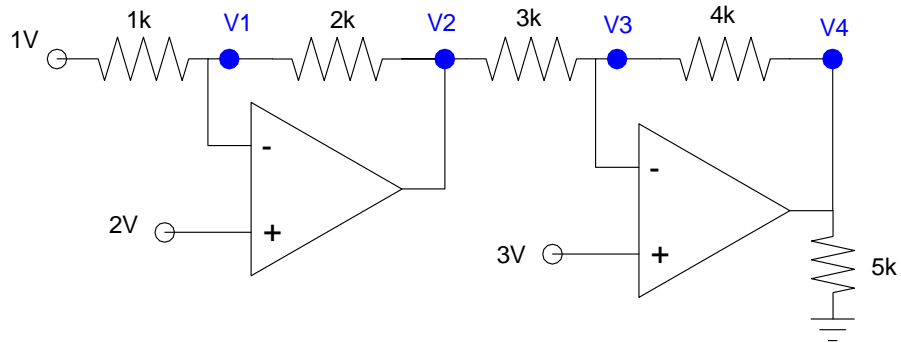
Op Amps

- 4) Write the voltage node equations for the following op-amp circuit. Assume ideal op-amps.



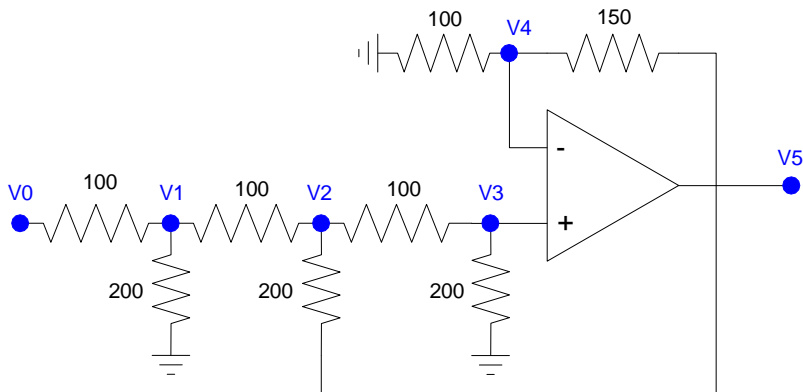
Problem 4

5) Write the voltage node equations for the following op-amp circuit. Assume ideal op-amps.



Problem 5:

6) Write the voltage node equations for the following op-amp circuit. Assume ideal op-amps.



Problem 6