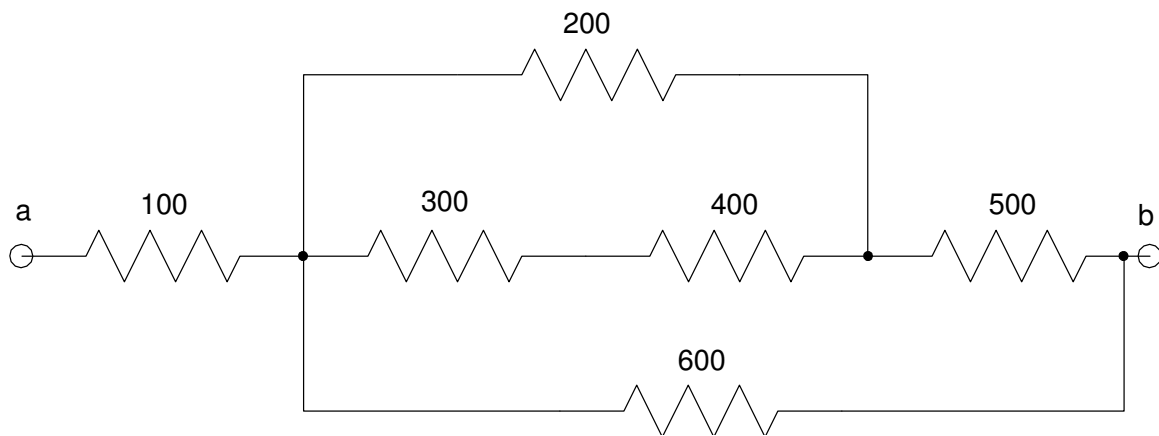


# EE 206 Test #1c - Name \_\_\_\_\_

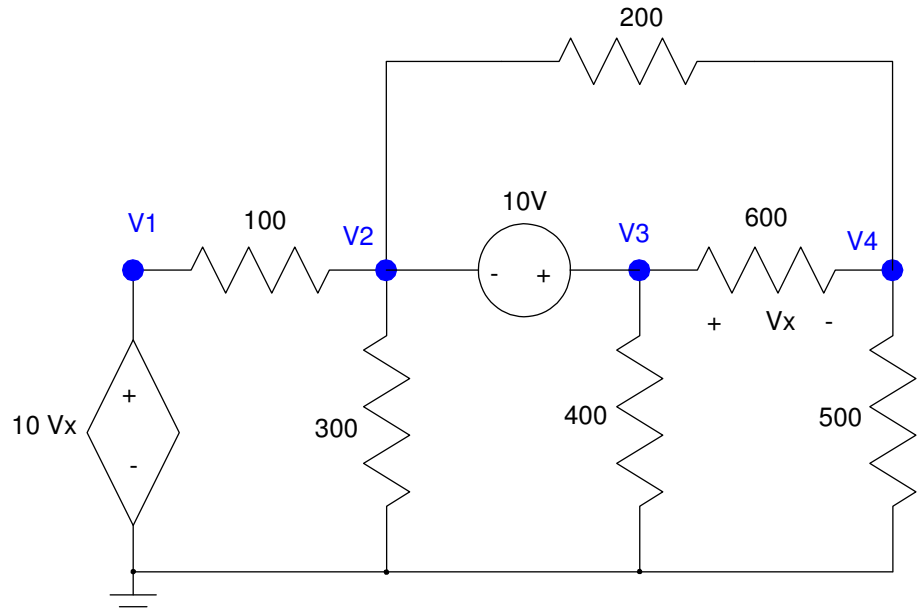
April 30 / May 1, 2019

1a) Determine the resistance  $R_{ab}$

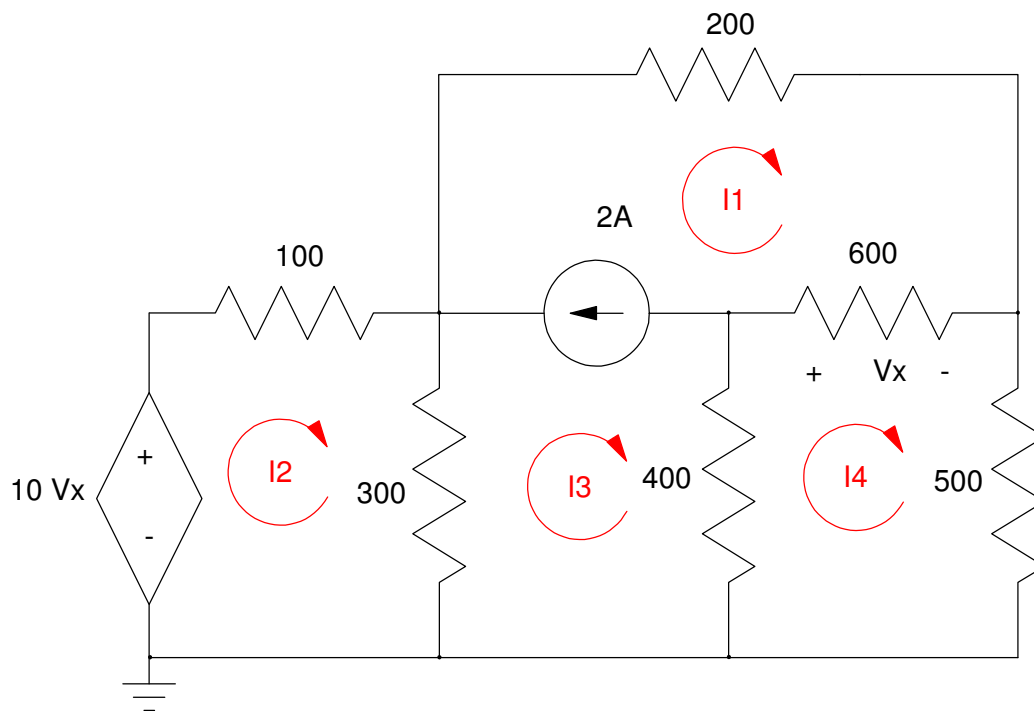
$R_{ab} =$
------------



2) Write N equations to allow you to solve for the N unknown voltages



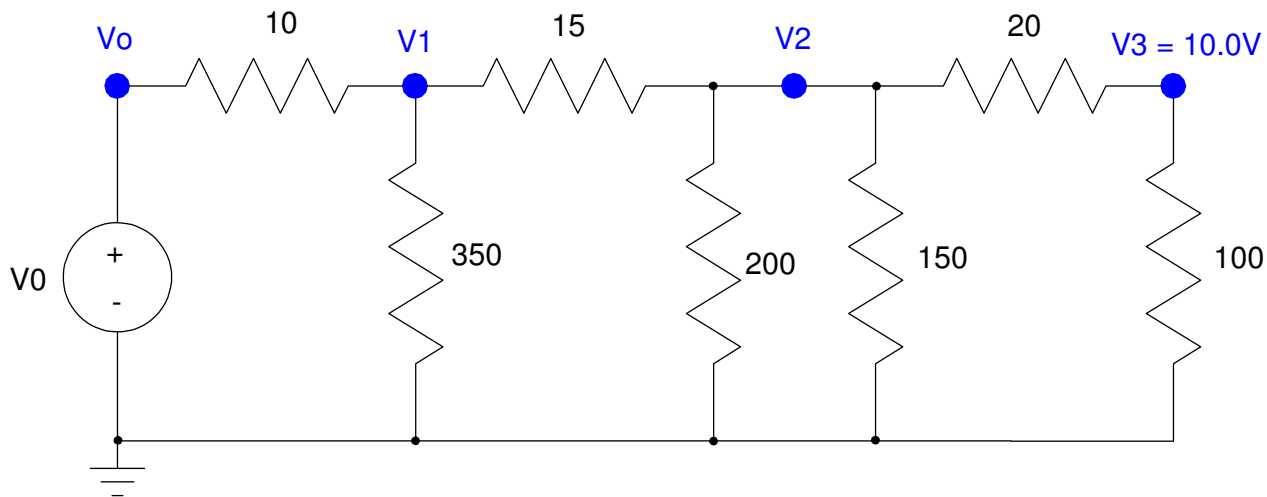

3) Write N equations to allow you to solve for the N unknown currents




4) For the following circuit, the voltage at V3 is measured as 10V. Determine the voltages V0, V1, V2

(hint: use voltage division)

V0	V1	V2	V3
			10.0V



5) Given the voltages, determine the loop currents

I1	I2	I3	I4	I5

