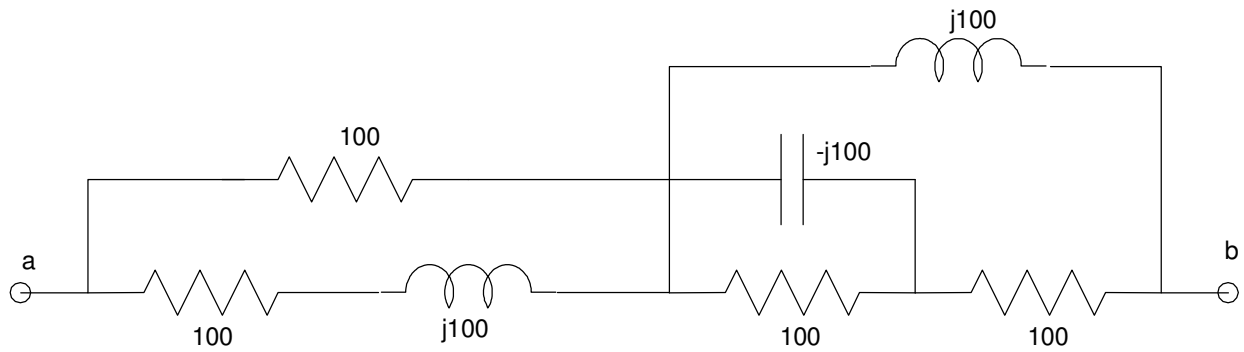


EE 206 Test #3 - Name _____

April 24, 2019

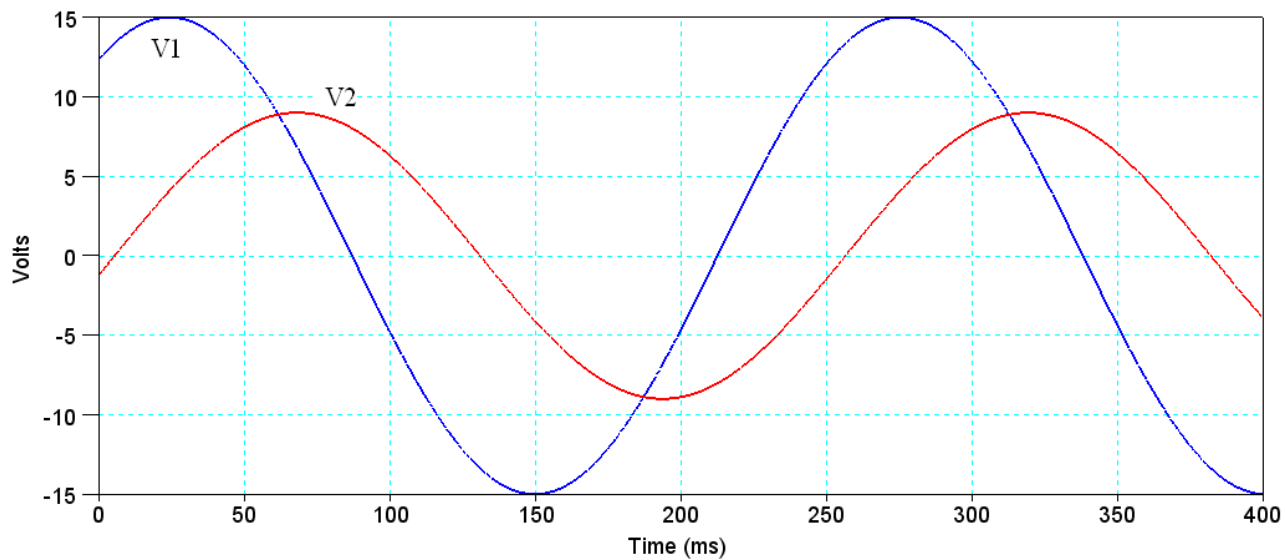
1) Determine the impedance Z_{ab}

$Z_{ab} =$

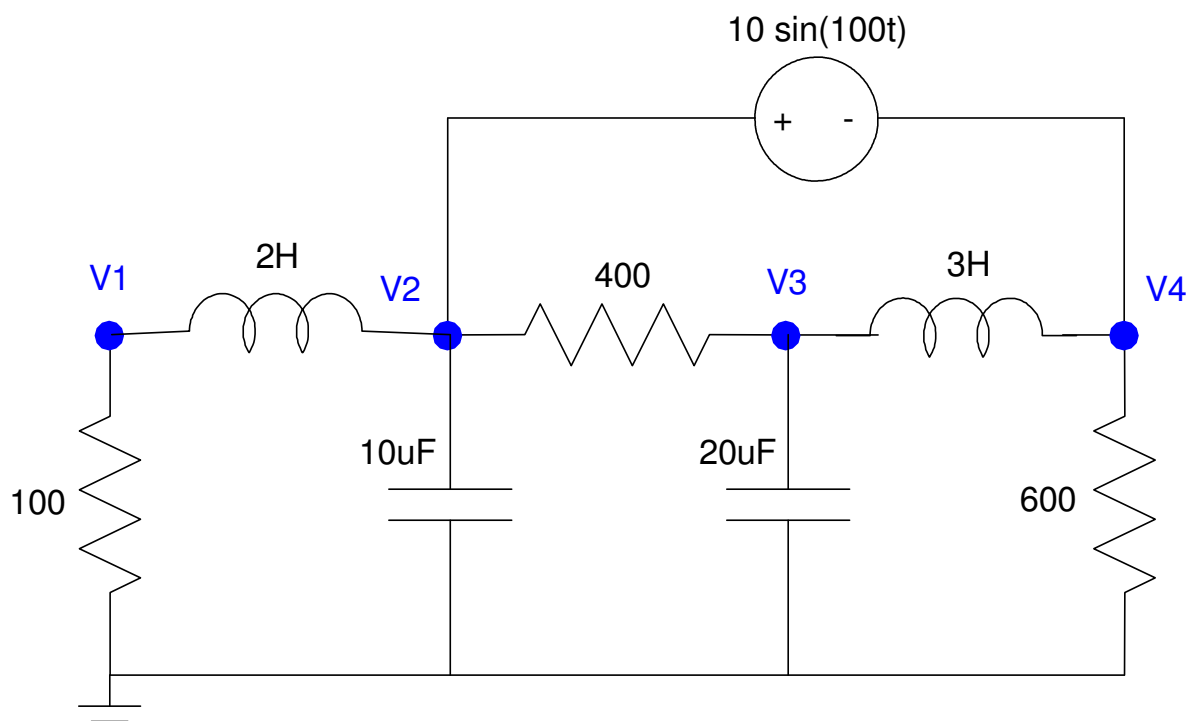


2) Determine the frequency and phasor representation for V1 and V2

Frequency (Hz)	V1		V2	
	Amplitude (Vp)	Phase (degrees)	Amplitude (Vp)	Phase (degrees)



3) Write N equations to allow you to solve for the N unknown voltages

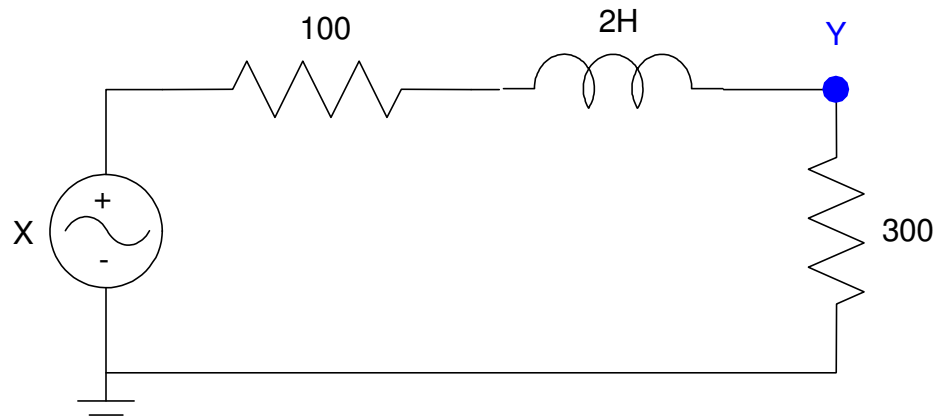


4) Assume

$$x(t) = 20 + 15 \cos(50t)$$

Determine the voltage, $y(t)$

$y(t) =$

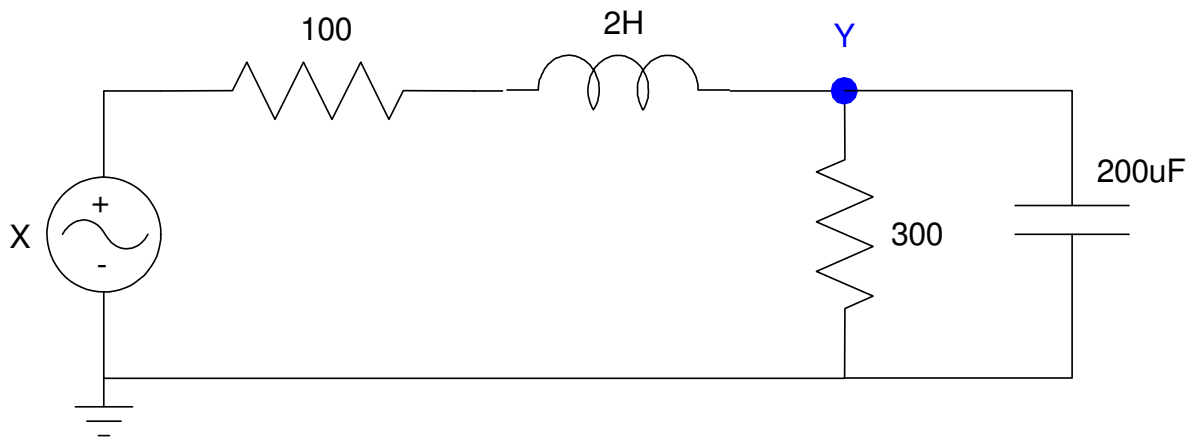


5) Assume

$$x(t) = 20 + 15 \cos(50t)$$

Determine the voltage, $y(t)$

$y(t) =$



Bonus! Suggest one thing that the U.S. government could do to reduce income inequality

