

EE 206: Homework #11

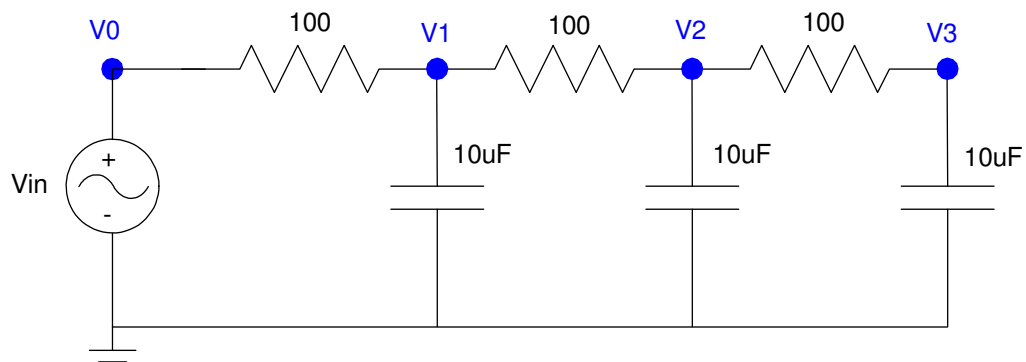
Superposition with Phasors. Due Monday, April 27th

Please make the subject "EE 206 HW#11" if submitting homework electronically to Jacob_Glower@yahoo.com (or on blackboard)

Assume V_{in} is a 10Vpp, 477Hz (3000 rad/sec) square wave

$$V_{in} = \begin{cases} +10 & \cos(3000t) > 0 \\ 0 & \cos(3000t) < 0 \end{cases}$$

Find $V_3(t)$ using superposition



Problem 1) Approximate $V_{in}(t)$ as

$$V_{in} \approx a_0 + a_1 \cos(3000t) + b_1 \sin(3000t) + a_2 \cos(6000t) + b_2 \sin(6000t) + a_3 \cos(9000t) + b_3 \sin(9000t)$$

In Matlab

```
wo = 3000;
f = wo / (2*pi);
T = 1/f;
t = [0:0.0001:1]' * T;
Vin = 10*(cos(3000*t) > 0);
a0 = mean(Vin)

a0 = 5.0005

a1 = 2*mean(Vin .* cos(3000*t))

a1 = 6.3676

b1 = 2*mean(Vin .* sin(3000*t))

b1 = 0.0020

a2 = 2*mean(Vin .* cos(6000*t))

a2 = 0.0020
```

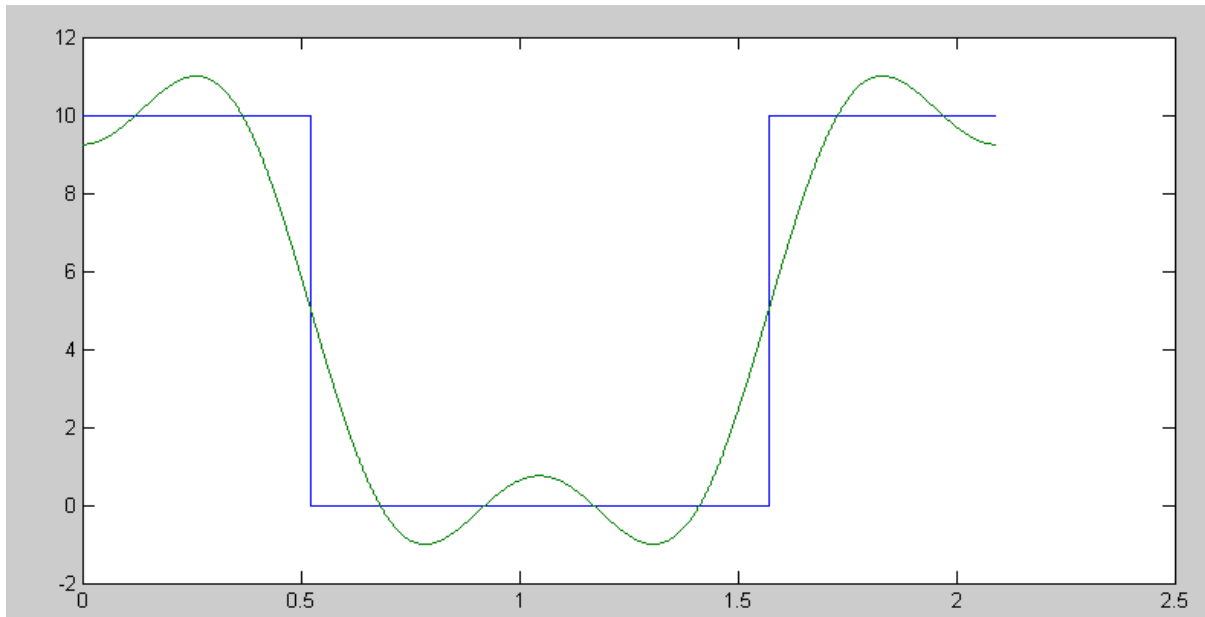
```

b2 = 2*mean(Vin .* sin(6000*t))
b2 = -1.6161e-015
a3 = 2*mean(Vin .* cos(9000*t))
a3 = -2.1199
b3 = 2*mean(Vin .* sin(9000*t))
b3 = -0.0020
>> plot(t,Vin,t,a0 + a1*cos(3000*t) + a3*cos(9000*t))

```

meaning

$$V_{in} \approx 5 + 6.3676 \cos(3000t) - 2.1199 \cos(9000t)$$



Problem 2) Use superposition and phasor analysis to determine $V_3(t)$

$$V_{in} \approx 5 + 6.3676 \cos(3000t) - 2.1199 \cos(9000t)$$

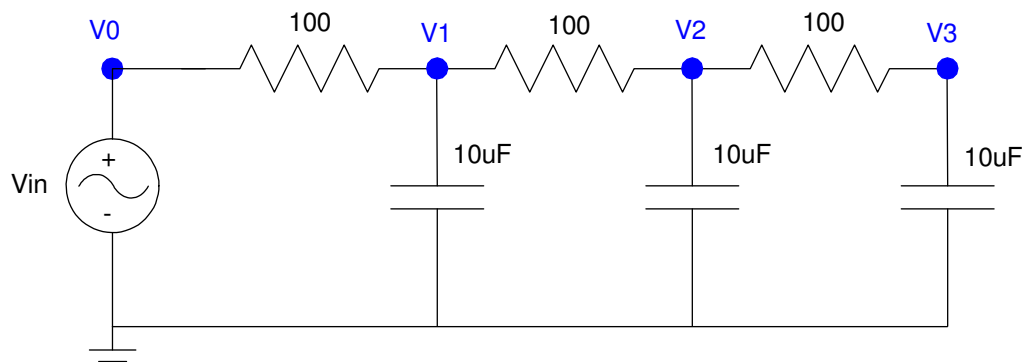
DC Analysis

$$V_{in} = 5$$

$$\omega = 0$$

$$C \rightarrow \frac{1}{j\omega C} = \infty$$

(ignore capacitors at DC)



Since there is no path to ground

$$V_3 = V_2 = V_1 = V_0 = 5.0000$$

$$V_{in} \approx 5 + 6.3676 \cos(3000t) - 2.1199 \cos(9000t)$$

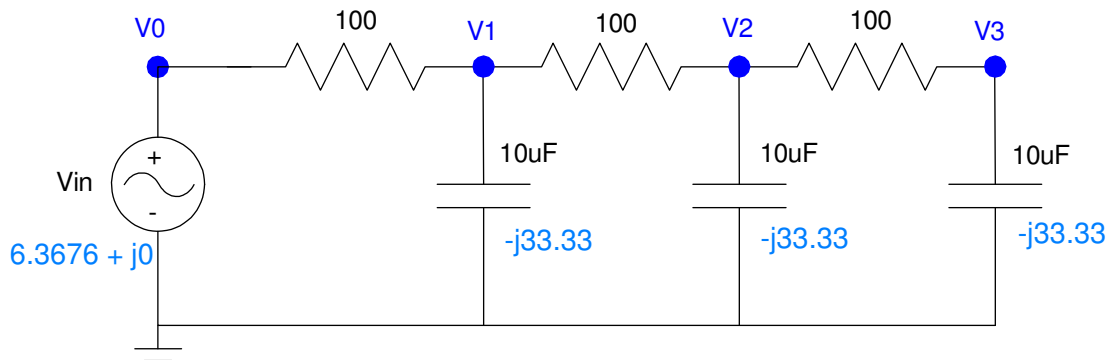
At $\omega = 3000$:

$$V_{in} = 6.3676 \cos(3000t)$$

In phasor form

$$V_{in} = 6.3676 + j0$$

$$C \rightarrow \frac{1}{j\omega C} = -j33.333\Omega$$



Write the voltage node equations

$$V_0 = 6.3676$$

$$\left(\frac{V_1 - V_0}{100}\right) + \left(\frac{V_1}{-j33.33}\right) + \left(\frac{V_1 - V_2}{100}\right) = 0$$

$$\left(\frac{V_2 - V_1}{100}\right) + \left(\frac{V_2}{-j33.33}\right) + \left(\frac{V_2 - V_3}{100}\right) = 0$$

$$\left(\frac{V_3 - V_2}{100}\right) + \left(\frac{V_3}{-j33.33}\right) = 0$$

Group terms and place in matrix form

$$\begin{bmatrix} 1 & 0 & 0 & 0 \\ \left(\frac{1}{100} + \frac{1}{-j33.33} + \frac{1}{100}\right) & \left(\frac{-1}{100}\right) & 0 & 0 \\ \left(\frac{-1}{100}\right) & \left(\frac{1}{100} + \frac{1}{-j33.33} + \frac{1}{100}\right) & \left(\frac{-1}{100}\right) & 0 \\ 0 & \left(\frac{-1}{100}\right) & \left(\frac{1}{100} + \frac{1}{-j33.33}\right) & 0 \end{bmatrix} \begin{bmatrix} V_0 \\ V_1 \\ V_2 \\ V_3 \end{bmatrix} = \begin{bmatrix} 6.3676 \\ 0 \\ 0 \\ 0 \end{bmatrix}$$

Solve in Matlab

$$A = [1, 0, 0, 0 ; -a, b, -a, 0 ; 0, -a, b, -a ; 0, 0, -a, b-a]$$

$$\begin{array}{cccc} 1.0000 & 0 & 0 & 0 \\ -0.0100 & 0.0200 + 0.0300i & -0.0100 & 0 \\ 0 & -0.0100 & 0.0200 + 0.0300i & -0.0100 \\ 0 & 0 & -0.0100 & 0.0100 + 0.0300i \end{array}$$

$$B = [6.3676; 0; 0; 0]$$

$$\begin{array}{c} 6.3676 \\ 0 \\ 0 \\ 0 \end{array}$$

$$V = \text{inv}(A) * B$$

$$\begin{array}{c} 6.3676 \\ 0.8554 - 1.4774i \\ -0.2241 - 0.3882i \\ -0.1389 + 0.0284i \end{array}$$

$$V_{in} \approx 5 + 6.3676 \cos(3000t) - 2.1199 \cos(9000t)$$

Assume

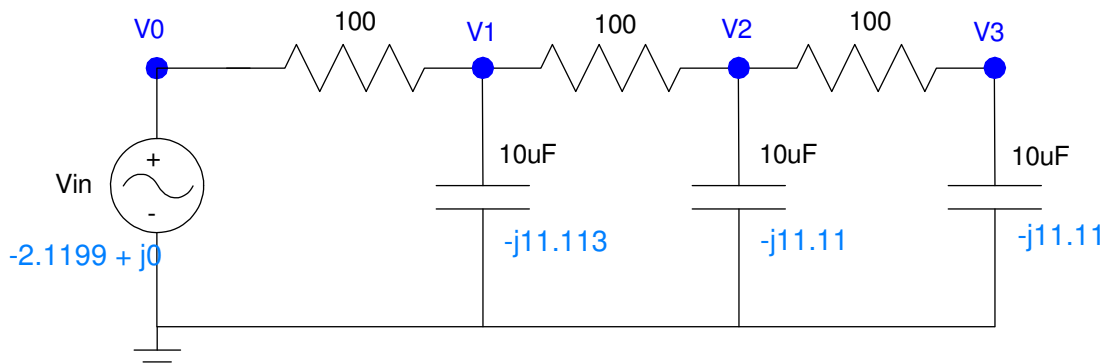
$$V_{in} = -2.1199 \cos(9000t)$$

$$\omega = 9000$$

In phasor form

$$V_{in} = -2.1199 + j0$$

$$C \rightarrow \frac{1}{j\omega C} = -j11.111\Omega$$



Write the node equations

$$V_0 = -2.1199$$

$$\left(\frac{V_1 - V_0}{100}\right) + \left(\frac{V_1}{-j11.11}\right) + \left(\frac{V_1 - V_2}{100}\right) = 0$$

$$\left(\frac{V_2 - V_1}{100}\right) + \left(\frac{V_2}{-j11.11}\right) + \left(\frac{V_2 - V_3}{100}\right) = 0$$

$$\left(\frac{V_3 - V_2}{100}\right) + \left(\frac{V_3}{-j11.11}\right) = 0$$

Group terms and place in matrix form

$$\begin{bmatrix} 1 & 0 & 0 & 0 \\ \left(\frac{1}{100} + \frac{1}{-j11.11} + \frac{1}{100}\right) & \left(\frac{-1}{100}\right) & 0 & 0 \\ \left(\frac{-1}{100}\right) & \left(\frac{1}{100} + \frac{1}{-j11.11} + \frac{1}{100}\right) & \left(\frac{-1}{100}\right) & 0 \\ 0 & \left(\frac{-1}{100}\right) & \left(\frac{1}{100} + \frac{1}{-j11.11}\right) & 0 \end{bmatrix} \begin{bmatrix} V_0 \\ V_1 \\ V_2 \\ V_3 \end{bmatrix} = \begin{bmatrix} -2.1199 \\ 6.3676 \\ 0 \\ 0 \end{bmatrix}$$

Solve in matlab

```

a = 1/100;
b = 1/100 + 1/(-j*11.11) + 1/100;
A = [1,0,0,0 ; -a,b,-a,0 ; 0,-a,b,-a ; 0,0,-a,b-a]

```

```

1.0000          0          0          0
-0.0100      0.0200 + 0.0900i  -0.0100          0
0          -0.0100      0.0200 + 0.0900i  -0.0100
0          0          -0.0100      0.0100 + 0.0900i

```

```

B = [-2.1199;0;0;0]

```

```

-2.1199
0
0
0

```

```

V = inv(A)*B

```

```

-2.1199
-0.0483 + 0.2223i
0.0222 + 0.0101i
0.0014 - 0.0023i

```

The total answer is then the sum of the three

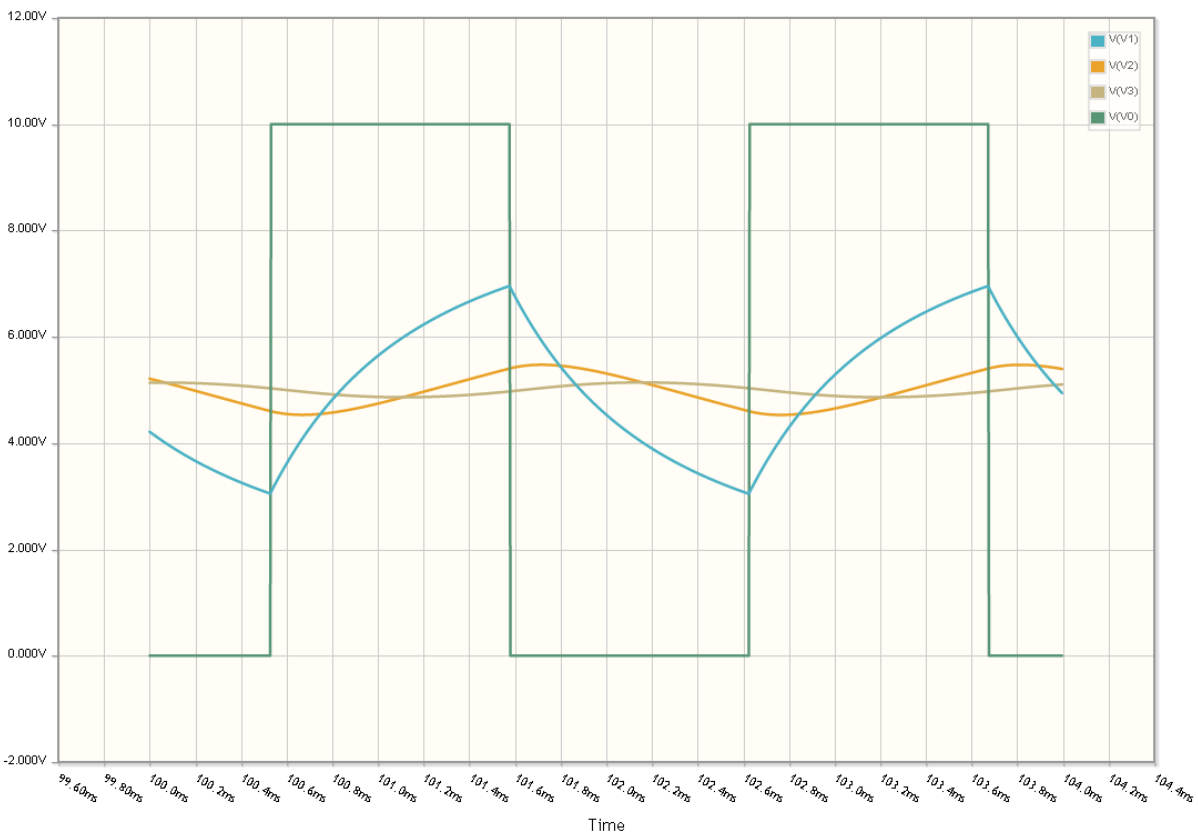
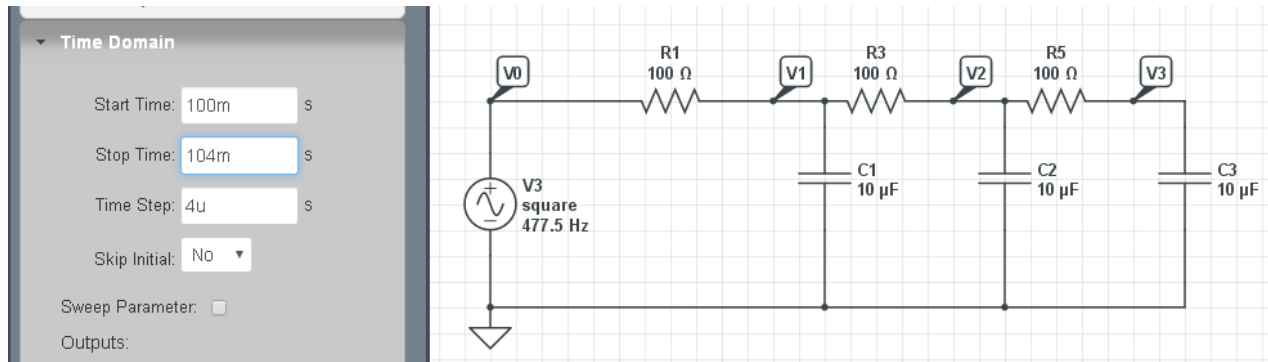
```

DC:          5.0000
w = 3000:    -0.1389 + 0.0284i
w = 9000     0.0014 - 0.0023i

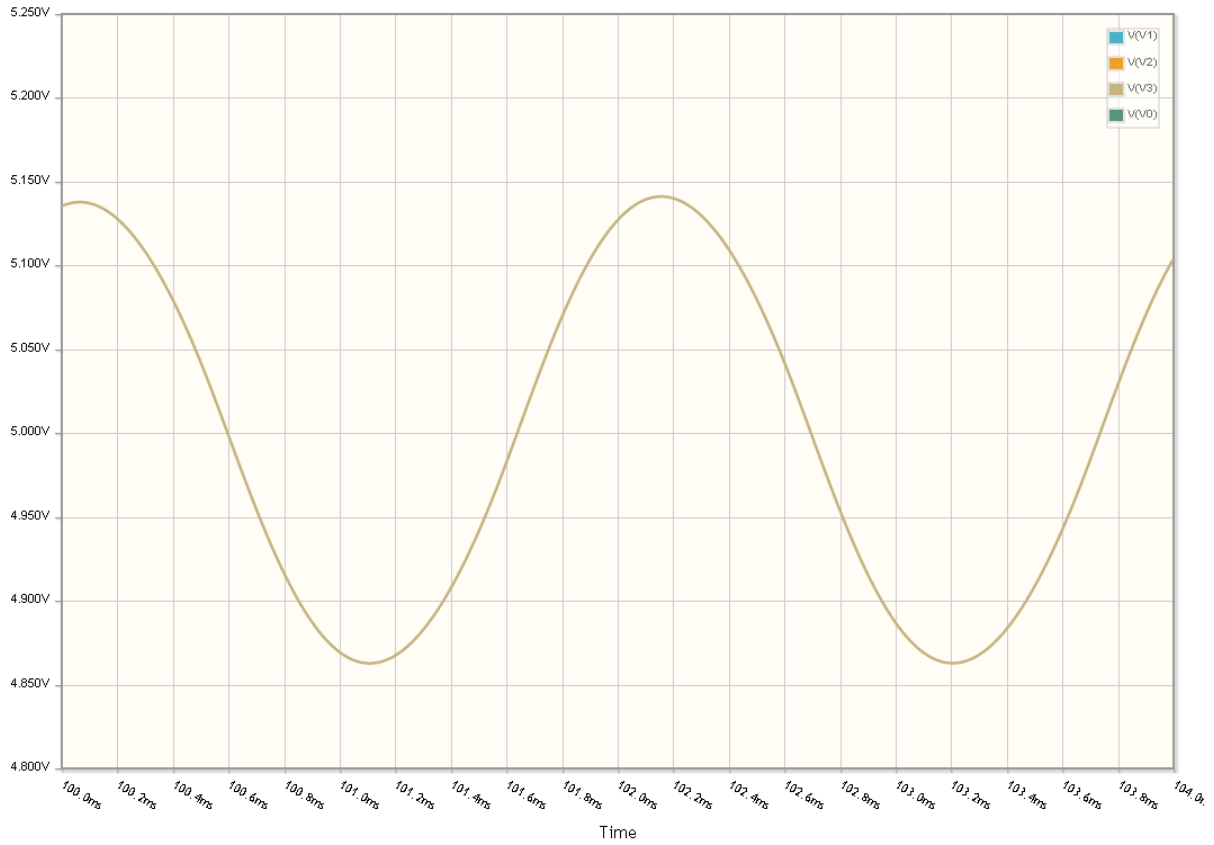
```

$$V_3(t) = 5.000 - 0.1389 \cos(3000t) - 0.0284 \sin(3000t) \\ + 0.0014 \cos(9000t) + 0.0023 \sin(9000t)$$

Problem 3) Simulate this circuit using PartSim and compare the transient response in PartSim to your computed results in problem #2



Looking at V3(t)



Max = 5.141V

Min = 4.863V

Average = 5.002V (5.000V computed)

Vpp = 278mVpp (283.5mV computed)

Almost a pure sine wave (meaning the 3rd harmonic is negligible)

Note: 3000 rad/sec term compued is

$$-0.1389 \cos(3000t) - 0.0284 \sin(3000t)$$

$$|-0.1389 + j0.0284| = 0.1417$$

The peak to peak voltage is double this

$$V_{pp} = 283.5mV_{pp}$$