

EE 206 Test #1d - Name _____

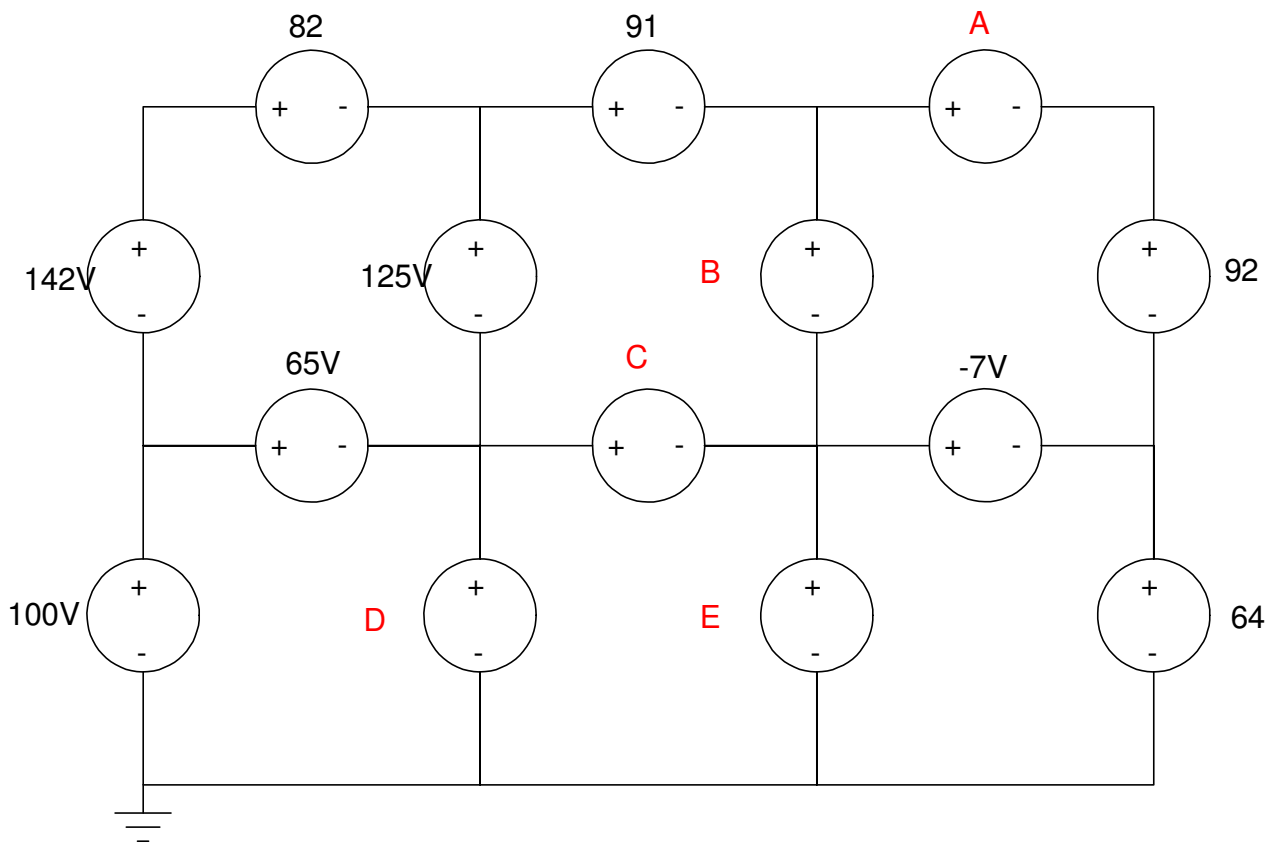
Resistors, Current Loops, Voltages Nodes. Due May 7th at midnight

Open book, open notes, internet, calculators, matlab permitted. Individual effort only.

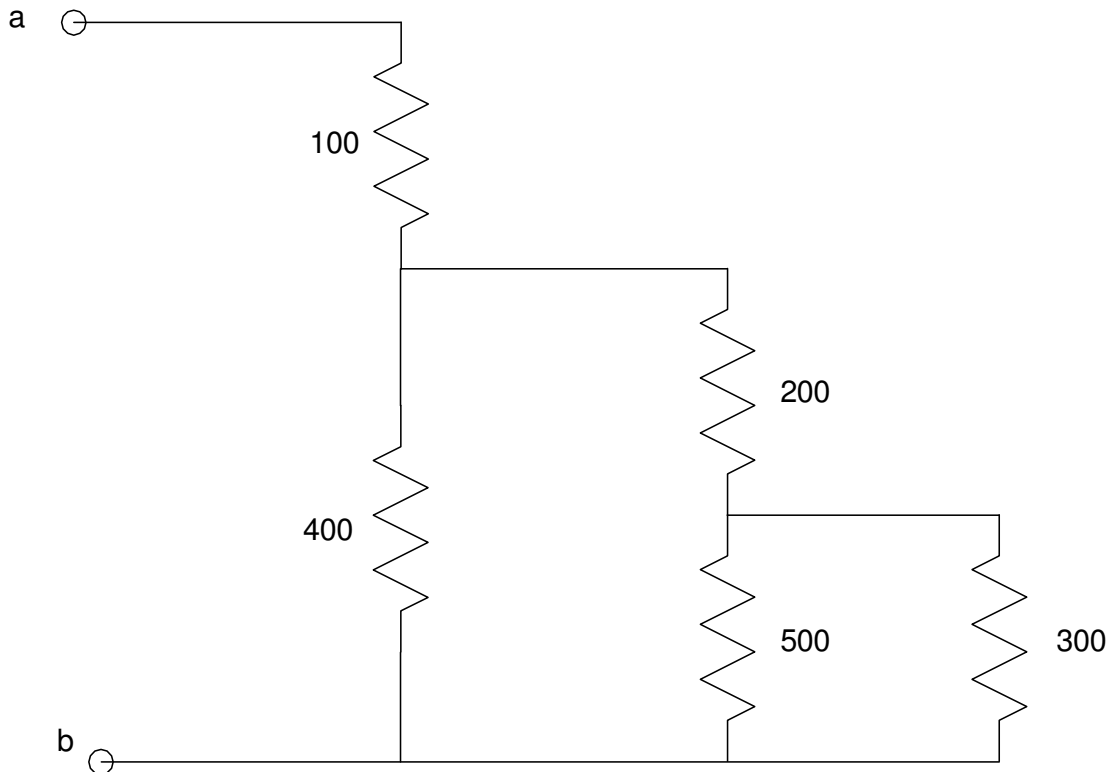
No aid given, received, or observed: (signature) _____

1) Kirchoff's Laws. Determine the unknown voltages (they can be negative)

V1	V2	V3	V4	V5

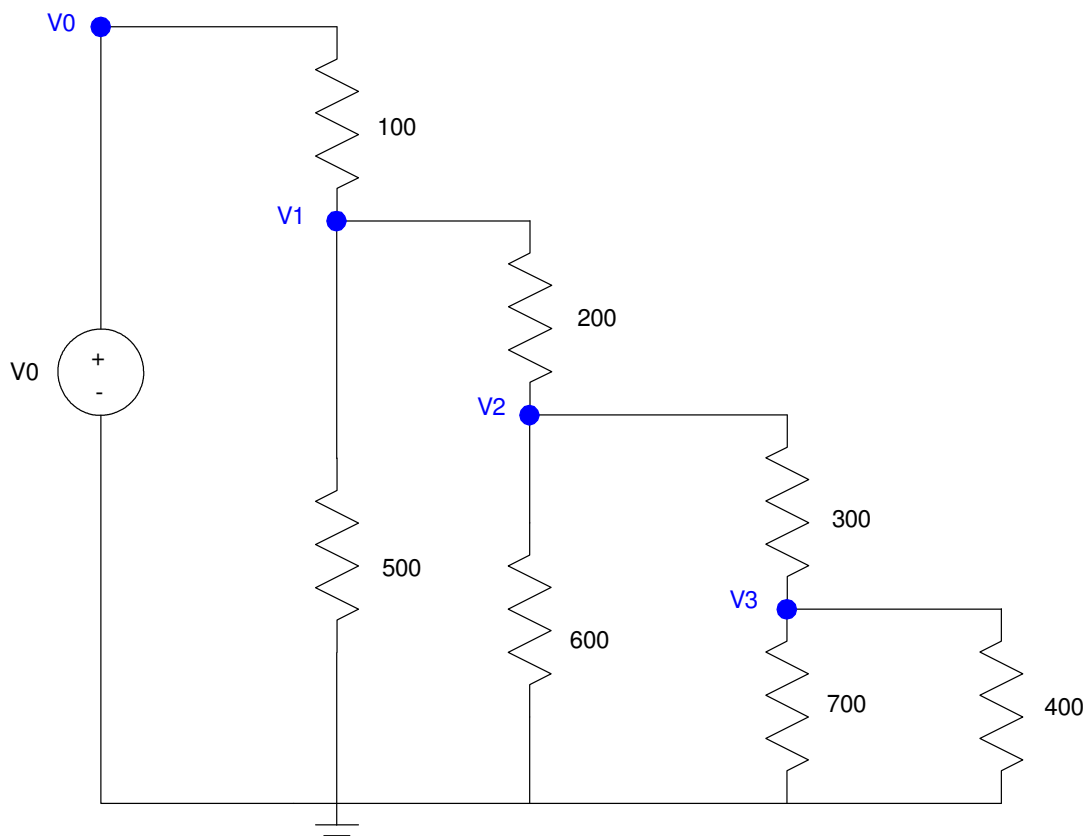


2) Determine the resistance R_{ab}



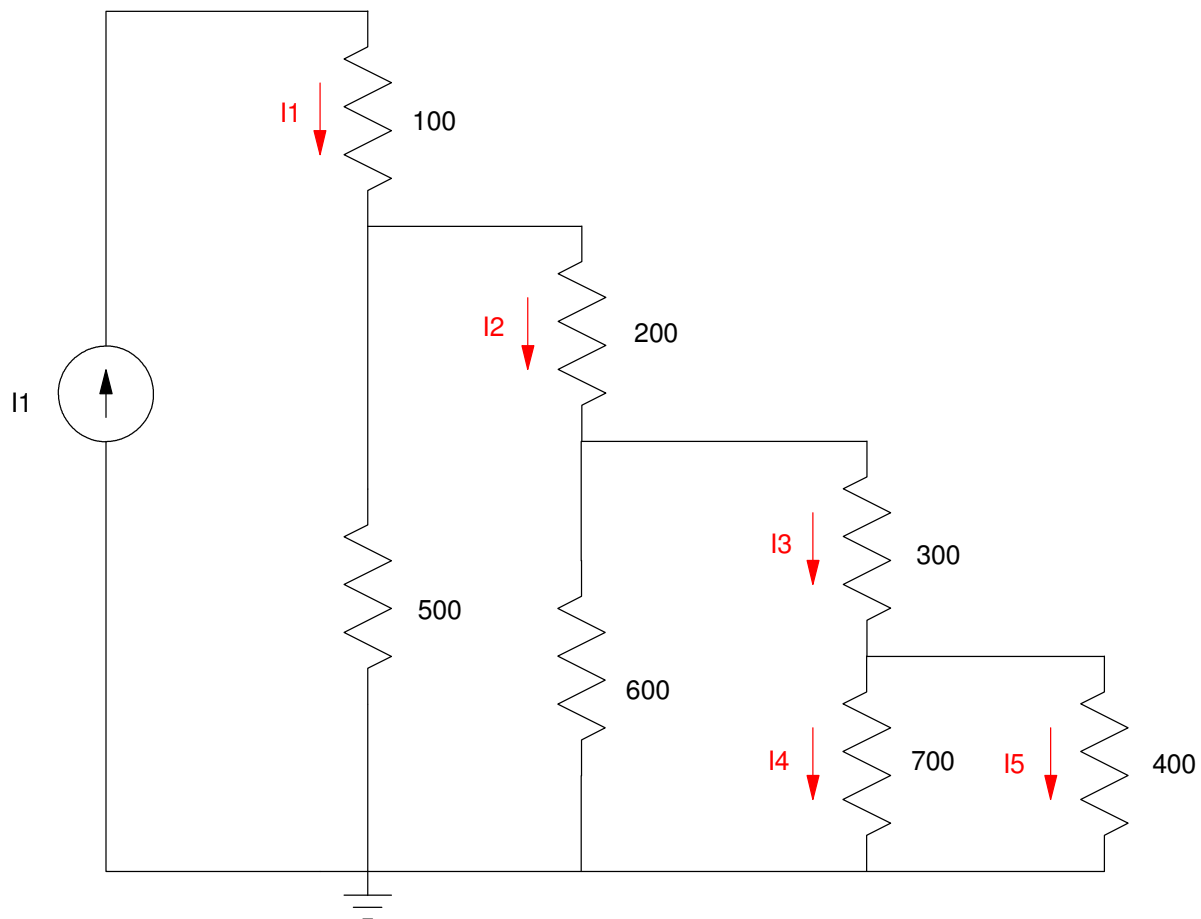
3) Voltage Division. Use voltage division to determine the voltages V_1 .. V_3

V_0	V_1	V_2	V_3
			100 V

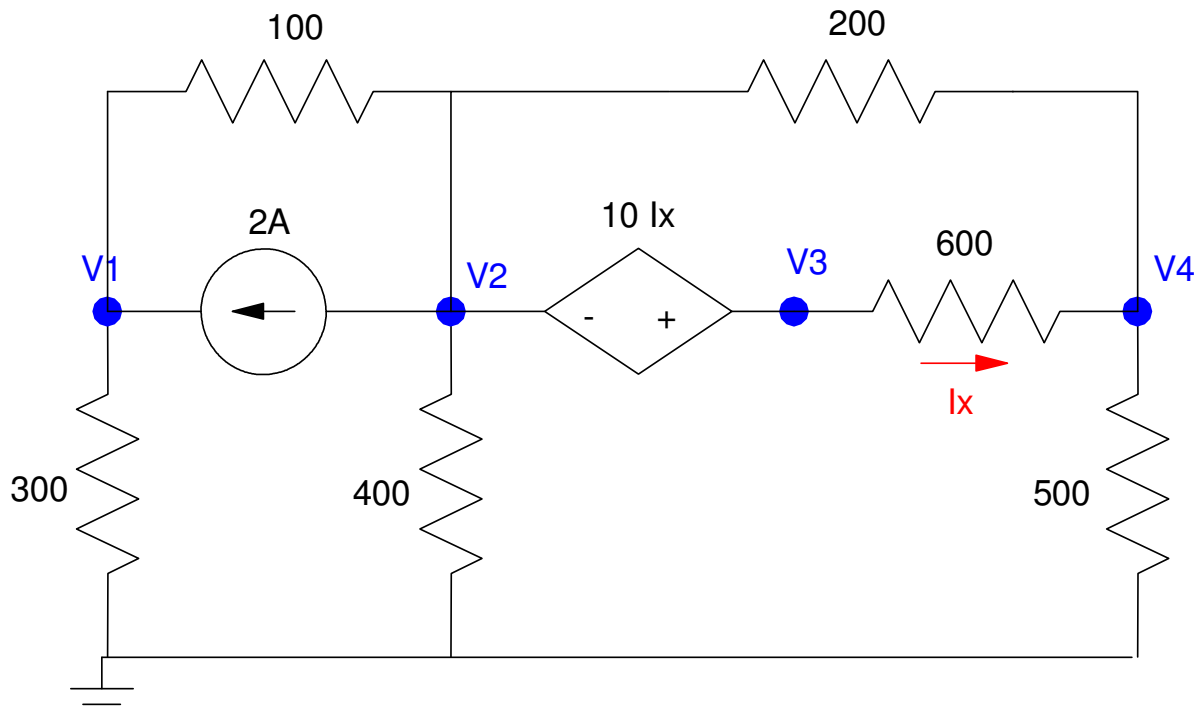


4) Current Division. Determine the currents

I1	I2	I3	I4	I5
		100 mA		



5) Voltage Nodes: Write 5 equations to solve for the 5 unknowns.



6) Current Loops. Write 5 equations to solve for 5 unknowns

