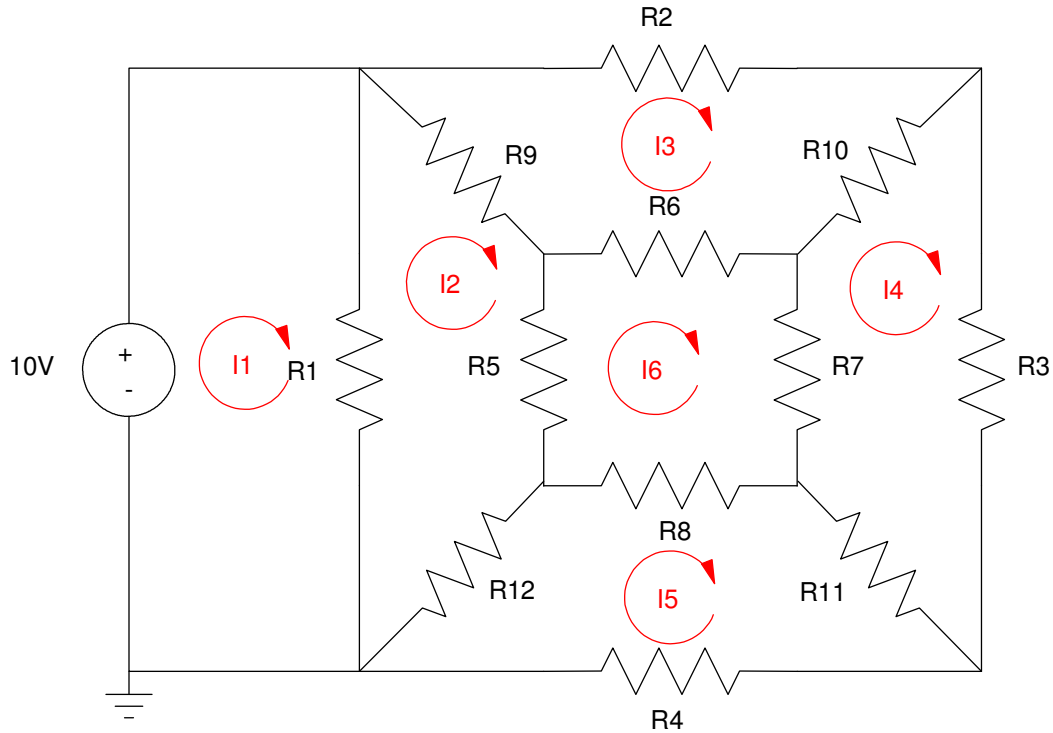


# EE 206: Lab #4

Current Loops: 2 people per group

Using the resistor cube you built last week, attach +10V to one corner and 0V to the other corner



Record the resistor values (should be the same as you used in Lab 1)

R1	R2	R3	R4	R5	R6
R7	R8	R9	R10	R11	R12

- 1) Write the current loop equations for this circuit
- 2) Solve for  $I_1 \dots I_6$
- 3) Using PartSim, simulate this circuit and determine the currents  $I_1 \dots I_6$
- 4) Apply +10V and 0V to your circuit and measure the currents

note: You probably have to measure the voltage across a resistor and compute the current

Loop	Currents - Lab #3		
	Calculated	Simulated	Measured
1			
2			
3			
4			
5			
6			