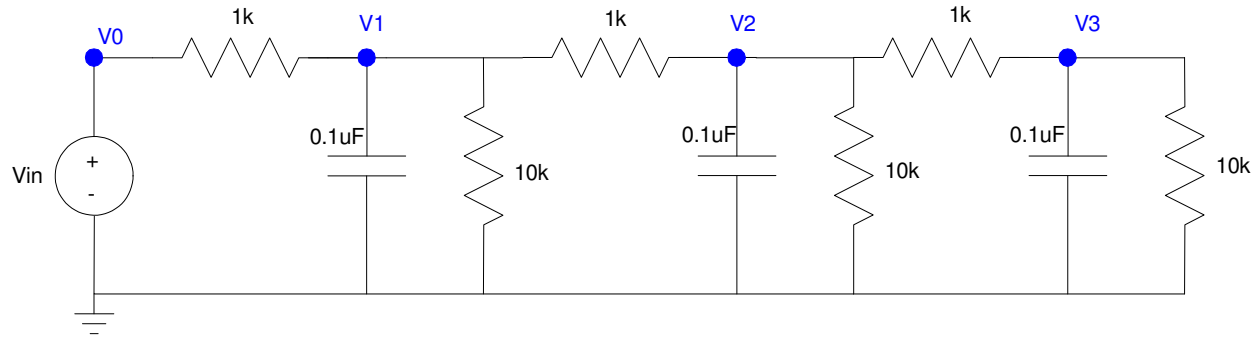


EE 206: Lab Final

Sample Final. Time Limit: 1:00 hour
 Each student works alone and has one hour to complete this final

Build the following circuit.



DC Measurement

- 1) Set V_{in} to 10V DC
 - $V_{in} = 10V$

Measure the voltages at V1 .. V3

V1	V2	V3

- 2) Set V_{in} to a 5V, 100Hz sine wave:
 - 5V peak (10V peak-to-peak)
 - 100Hz

Measure the voltages at V1 .. V3 (both amplitude and phase relative to V_{in})

	V1	V2	V3
Amplitude			
Phase			