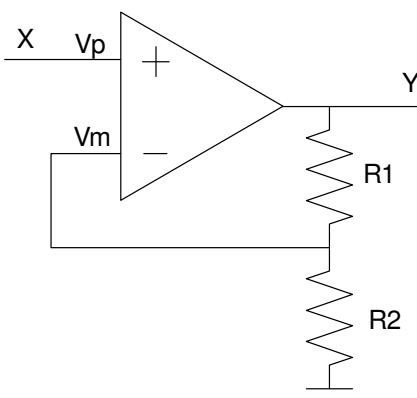


Amplifiers and Mixers

With op-amps, you can build a wide variety of amplifiers and mixers. This covers some of the common ones we'll use.

Noninverting Amplifier



$$\text{Noninverting Amplifier: } Y = \left(1 + \frac{R_1}{R_2}\right)X$$

Writing the three voltage node equations

$$V_p = X$$

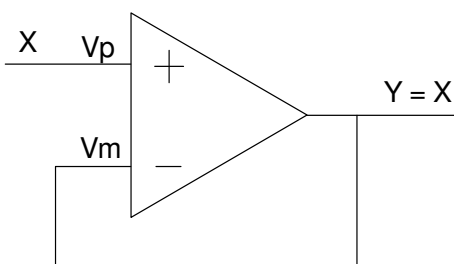
$$V_m = V_p$$

$$\left(\frac{V_m - Y}{R_1}\right) + \left(\frac{V_m}{R_2}\right) = 0$$

Solving

$$Y = \left(1 + \frac{R_1}{R_2}\right)X$$

A special case of the non-inverting amplifier is when $R_2 = \text{infinity}$, $R_1 = 0$. This is a voltage buffer



$$\text{Voltage Buffer: } Y = X$$

Example: Design a circuit to implement

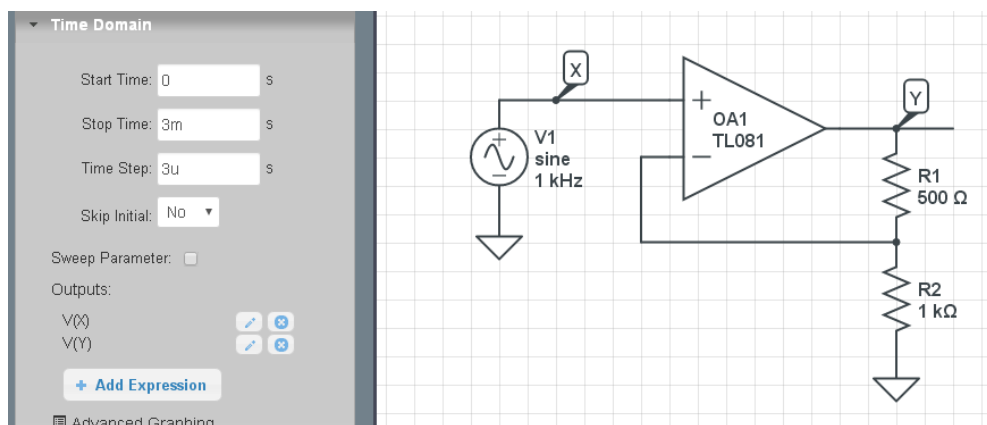
$$y = 1.5x$$

Check your design in CircuitLab.

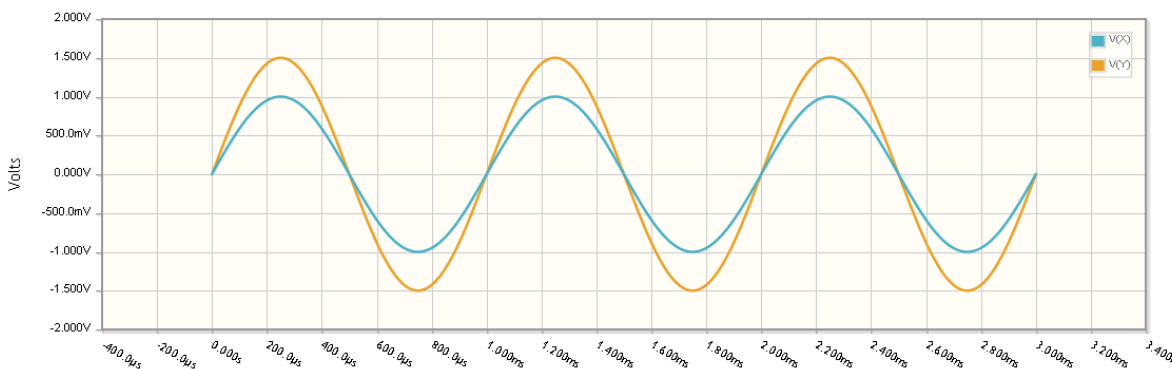
Solution: For a gain of 1.50

$$\text{gain} = 1 + \left(\frac{R_1}{R_2} \right) = 1.5$$

Let $R_1 = 500$, $R_2 = 1k$



Running a simulation for 3ms (3 cycles) gives the following result.



Note the following:

- The output is 1.5x the input ($Y = 1.5 X$)
- They are in phase (the gain is positive)
- A sine wave is used to show that the gain of 1.5 works from -1V to +1V

Sine wave inputs are nice for testing analog amplifiers: if the output is also a sine wave, it's an amplifier (as opposed to a Schmitt trigger where the output would be a square wave).

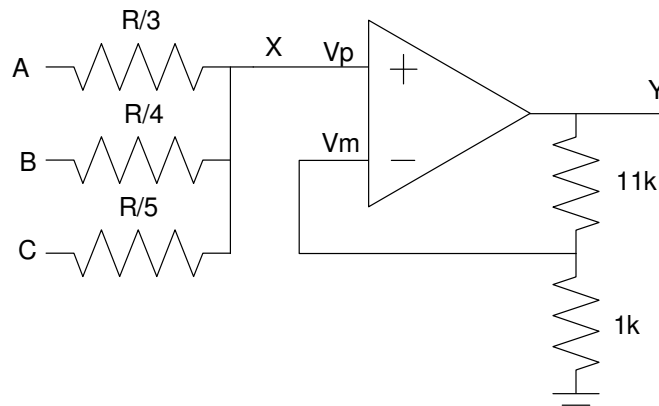
Non-Inverting Summing Amplifier:

Design a circuit to implement

$$Y = 3A + 4B + 5C$$

Rewrite this as

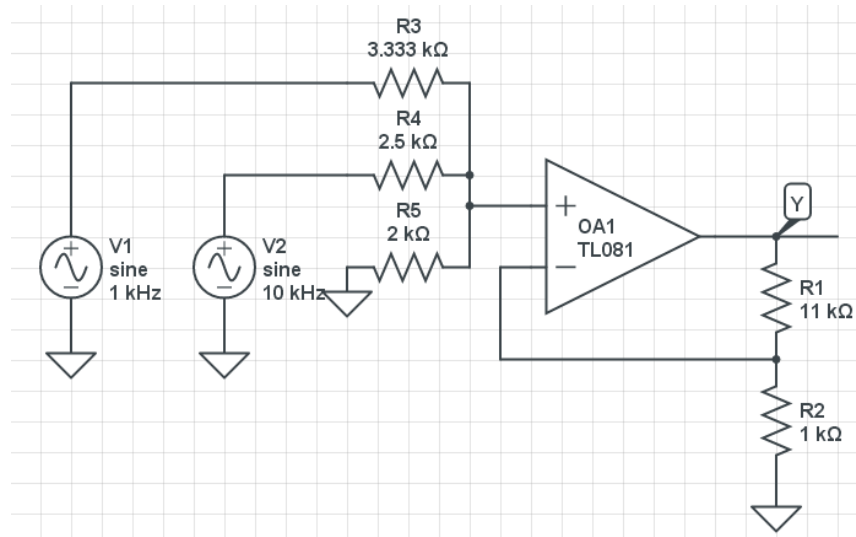
$$Y = \left(\frac{3A+4B+5C}{12} \right) \cdot 12$$



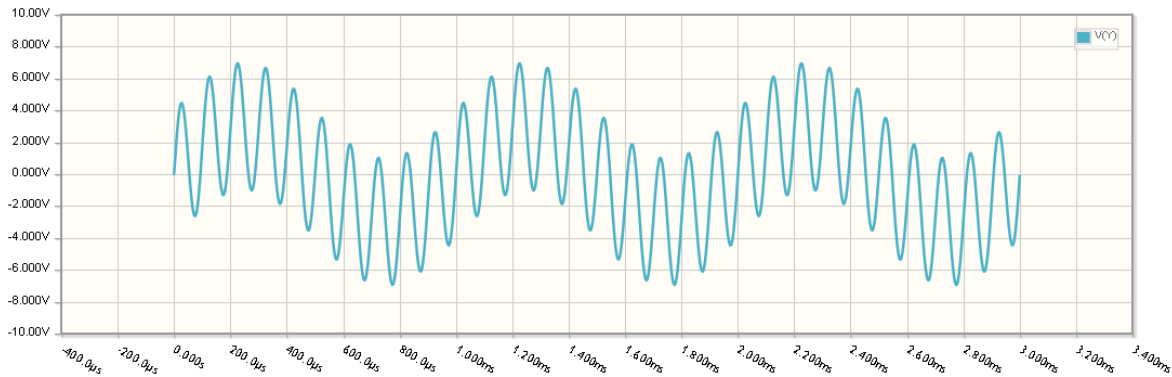
Non-Inverting Summing Amplifier: $Y = \left(\frac{3A+4B+5C}{12} \right) \cdot 12$

Checking in CircuitLab: Use three inputs

- 1V @ 1kHz
- 1V @ 10kHz (10x different so you can see the difference at Y)
- 0V (getting too many signals to see what's going on)



Running a time-domain simulation for 3ms (3 cycles)

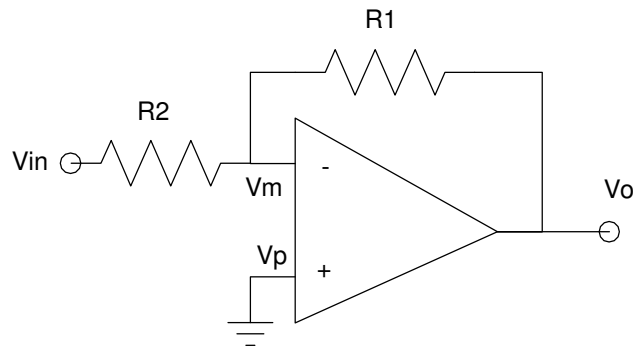


Here, you can see

- The 1kHz sine wave (envelope), mixed with
- A 10kHz sine wave.

You can also use this circuit to mix Katy Perry with Iron Butterfly or whatever you like.

Inverting Amplifier



Inverting Amplifier

Problem: Find the gain from V_{in} to V_o :

Write the node equations. There are three voltage nodes, so we need three equations:

$$(1) \quad V_p = 0V$$

$$(2) \quad V_p = V_m = 0V$$

$$(3) \quad \left(\frac{V_m - V_{in}}{R_2} \right) + \left(\frac{V_m - V_o}{R_1} \right) = 0$$

Solving:

$$V_o = \left(-\frac{R_1}{R_2}\right) V_{in}$$

This is an inverting amplifier.

Note that for the ideal op-amp model to be valid, the current into the + and - inputs (20nA) needs to be negligible. Assuming 1V signals, that means R2 and R1 must be much less than 50M Ohms.

Also note that for the output to be valid, R1 must be much more than the output impedance of the op-amp (75 Ohms).

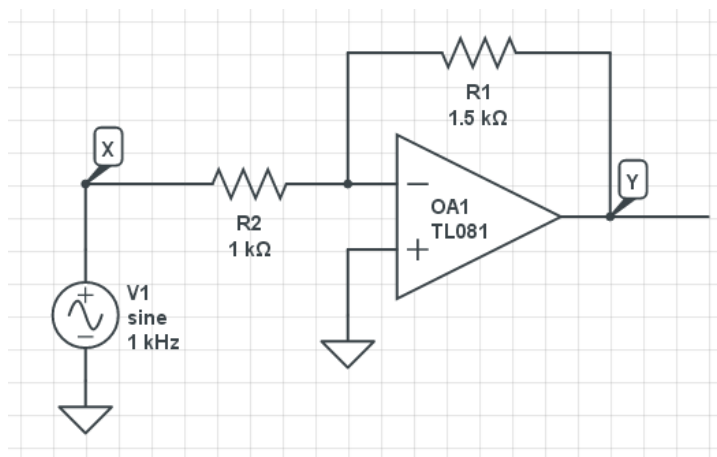
Picking resistors between 1k and 1M tends to work fairly well for 741 and LM833 op-amps. Outside this range, the model will break down a little.

Example: Design a circuit with a gain of

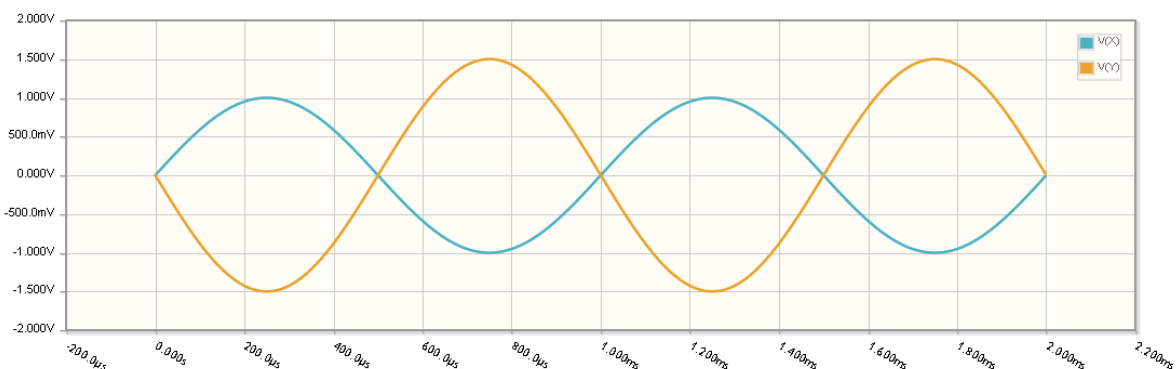
$$y = -1.5x$$

Solution: Let R1 = 1500 and R2 = 1000 Ohms.

CircuitLab Simulation:



Simulation Results:

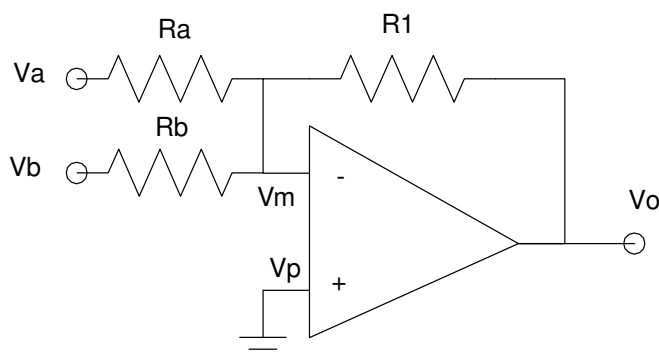


Note the following:

- The amplitude of Y is 1.5x the amplitude of X (as desired)
- Y is 180 degrees out of phase from X (the gain is -1.5)

Summing Inverting Amplifier:

A slight variation is the summing amplifier:



Summing Amplifier

Again, there are three voltage nodes so we need to write three equations to solve for 3 unknowns:

- (1) $V_p = 0V$
- (2) $V_p = V_m = 0V$
- (3) $\left(\frac{V_m - V_a}{R_a}\right) + \left(\frac{V_m - V_b}{R_b}\right) + \left(\frac{V_m - V_o}{R_1}\right) = 0$

Solving:

$$V_o = \left(-\frac{R_1}{R_a}\right) V_a + \left(-\frac{R_1}{R_b}\right) V_b$$

A second way to solve for the output is to use superposition. With two inputs in a linear circuit, you know the output will be

$$V_o = k_1 V_a + k_2 V_b$$

Use superposition. First, let $V_b = 0$ and solve for V_o . This is the non-inverting amplifier from before ($V_m = V_b = 0V$, so there is no current lost in R_b).

$$V_o = \left(-\frac{R_1}{R_a}\right) V_a$$

Next, let $V_a = 0$ and solve for V_o . Again by symmetry:

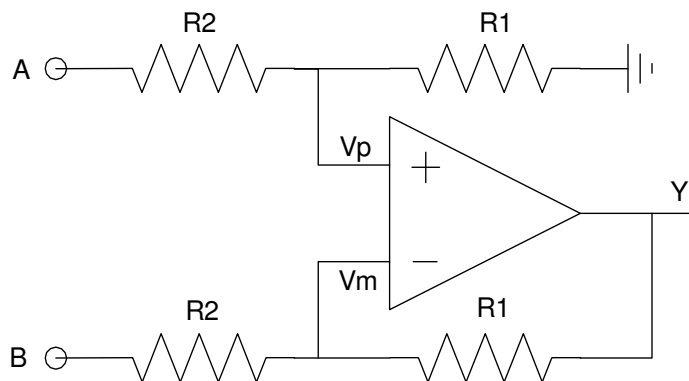
$$V_o = \left(-\frac{R_1}{R_b}\right) V_b$$

Using superposition, the total output will be the sum of these two answers:

$$V_o = \left(-\frac{R_1}{R_a}\right) V_a + \left(-\frac{R_1}{R_b}\right) V_b$$

This allows you to add two signals together as a mixer.

Instrumentation Amplifier:



$$\text{Instrumentation Amplifier: } Y = \left(\frac{R_1}{R_2}\right)(A - B)$$

To derive the transfer function, write the voltage node equations:

$$V_p = V_m$$

$$\left(\frac{V_p - A}{R_2}\right) + \left(\frac{V_p}{R_1}\right) = 0$$

$$\left(\frac{V_m - B}{R_2}\right) + \left(\frac{V_m - Y}{R_2}\right) = 0$$

Solving gives

$$Y = \left(\frac{R_1}{R_2}\right)(A - B)$$

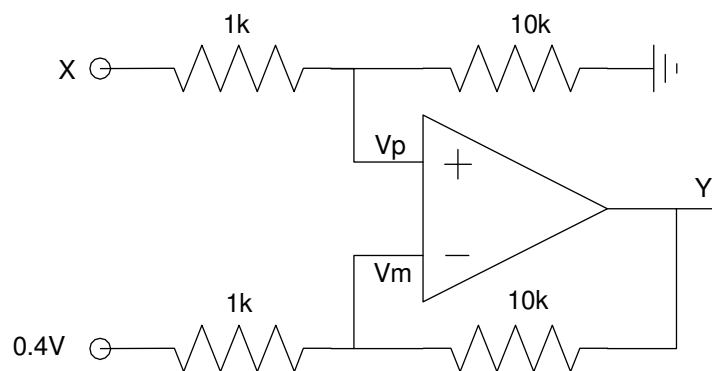
Instrumentation Amplifier Example 1: Design a circuit to implement

$$Y = 10X - 4$$

Rewrite as

$$Y = 10(X - 0.4)$$

$$Y = \left(\frac{R_1}{R_2}\right)(A - B)$$



$$Y = 10X - 4$$

With this circuit, you can implement almost any function.