

ECE 311 - Homework #2

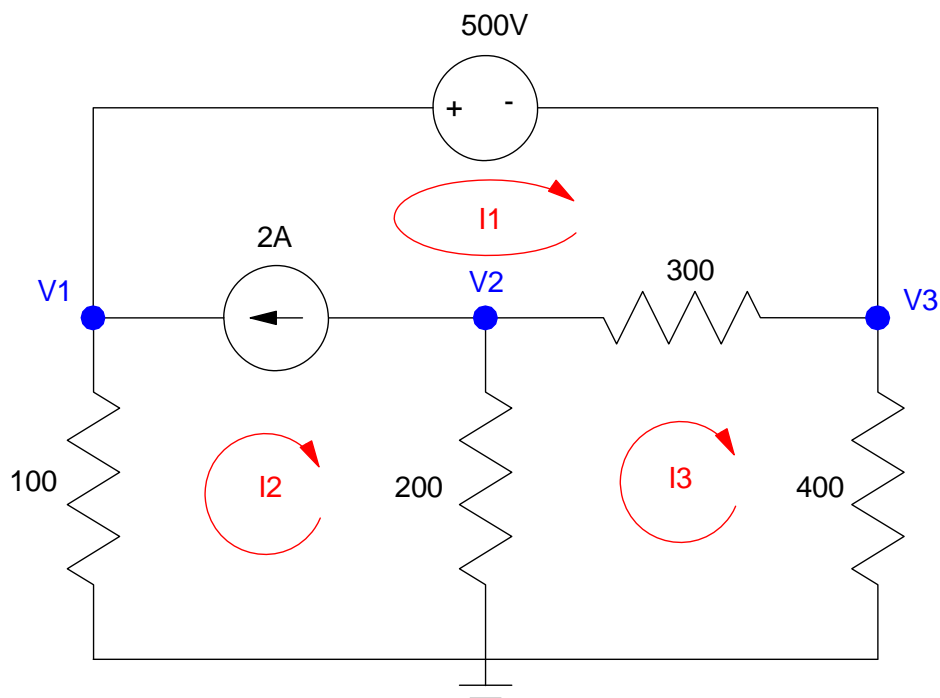
Current Loops, Voltage Nodes (review)

1. Voltage Nodes:

- a) Write the voltage node equations for the following circuit
- b) Solve using Matlab (or similar program)
- c) Check your answers in PartSim (or similar circuit simulator)

2. Current Loops:

- a) Write the current loop equations for the following circuit
- b) Solve using Matlab (or similar program)



Problem 1 - 2

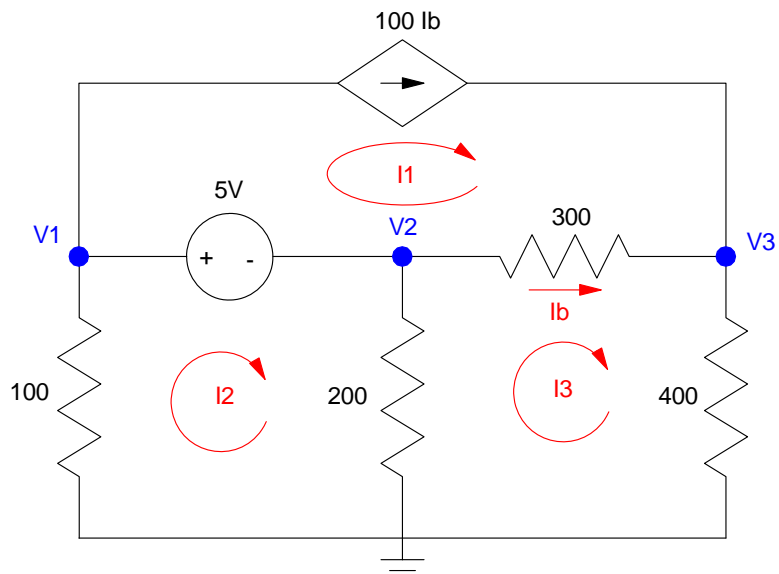
Problem 3 & 4 (figure on back side)

3. Voltage Nodes:

- a) Write the voltage node equations for the following circuit
- b) Solve using Matlab (or similar program)

4. Current Loops:

- a) Write the current loop equations for the following circuit
- b) Solve using Matlab (or similar program)



Problem 3 & 4