

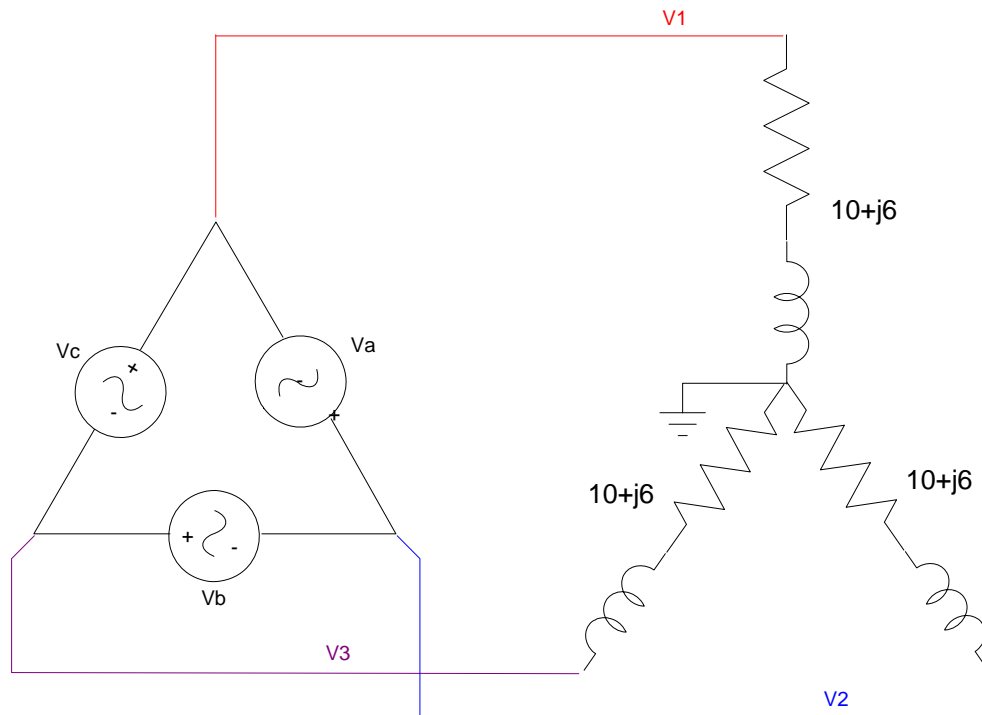
ECE 311 - Homework #6

Balanced 3-Phase Circuits

For each problem, let

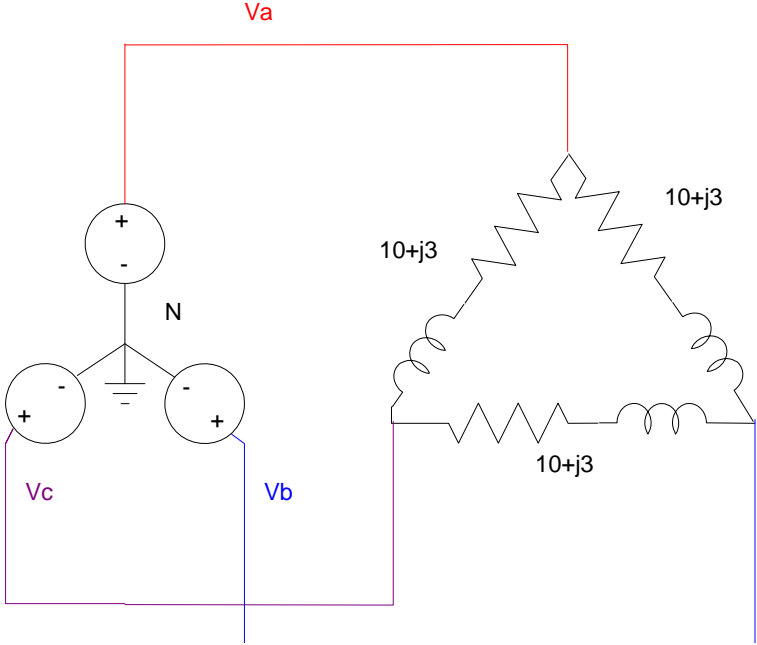
- $V_a = 120\angle 0^\circ$
- $V_b = 120\angle -120^\circ$
- $V_c = 120\angle -240^\circ$

1) Find V_1 , V_2 , V_3 , and the power delivered to each resistor



Problem 1: Y-Delta Connection

2) Find the power delivered to each resistor



Y-Delta Connection