

ECE 311 - Homework #15

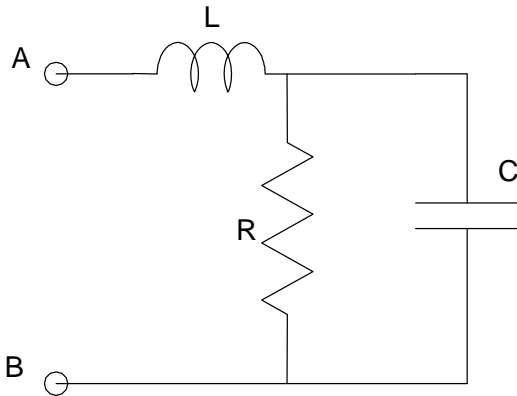
L and C in the LaPlace Domain

Find the LaPlace impedance from A to B for the following circuits. Assume zero initial conditions:

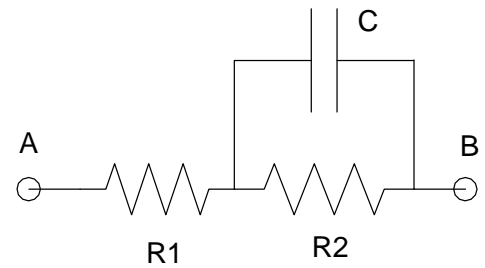
$$R \rightarrow R$$

$$L \rightarrow Ls$$

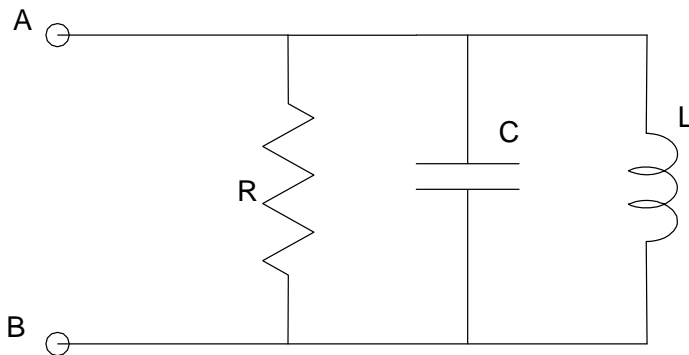
$$C \rightarrow \frac{1}{Cs}$$



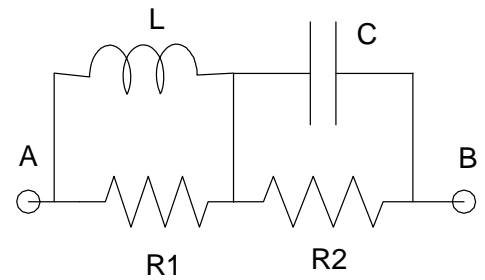
Problem 1



Problem 2



Problem 3



Problem 4