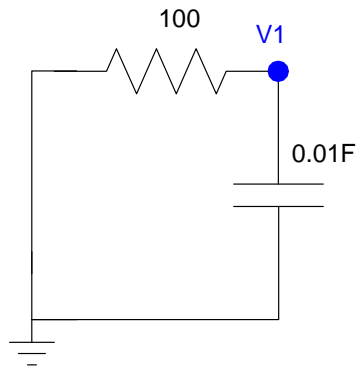


ECE 311 - Homework #16

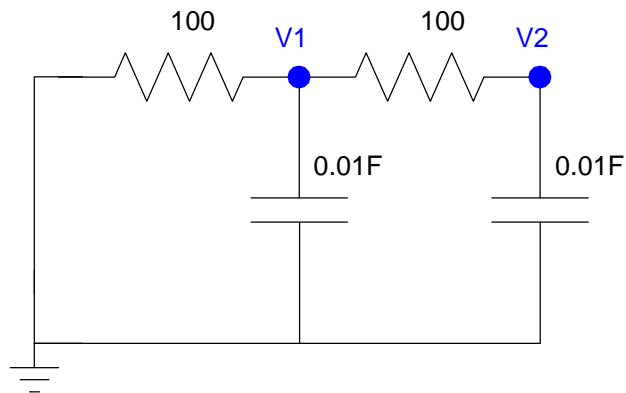
Voltage Nodes with LaPlace Transforms

- 1) Assume $V_1(0) = 10V$.
 - Determine $V_1(s)$ using LaPlace transforms
 - Determine $v_1(t)$



Problem 1

- 2) Assume $V_1(0) = 10$, $V_2(0) = 5$.
 - Determine $V_1(s)$ using LaPlace transforms
 - Determine $v_1(t)$



Problem 2