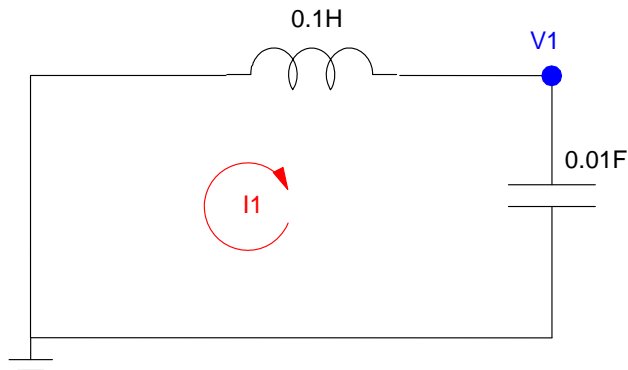


ECE 311 - Homework #17

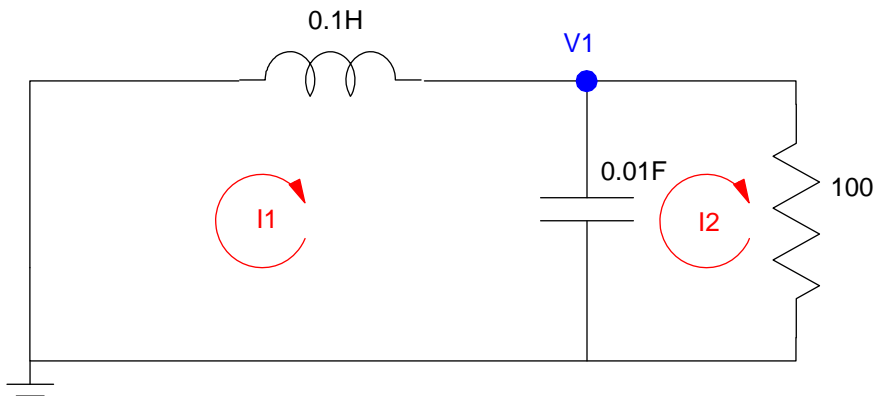
Current Loops with LaPlace Transforms

- 1) Assume $V_1(0) = 10\text{V}$ and $I_1(0) = 1\text{A}$.
- Determine $I_1(s)$ using LaPlace transforms
 - Determine $i_1(t)$



Problem 1

- 2) Assume $V_1(0) = 10$, $I_1(0) = 1\text{A}$.
- Determine $I_1(s)$ using LaPlace transforms
 - Determine $i_1(t)$



Problem 2