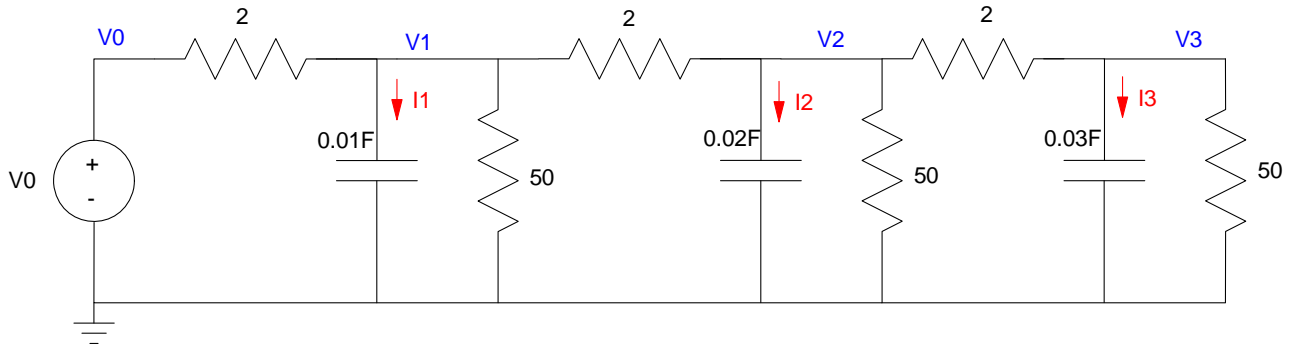


# ECE 311 - Homework #19

## Transfer Functions and State Variable Solution

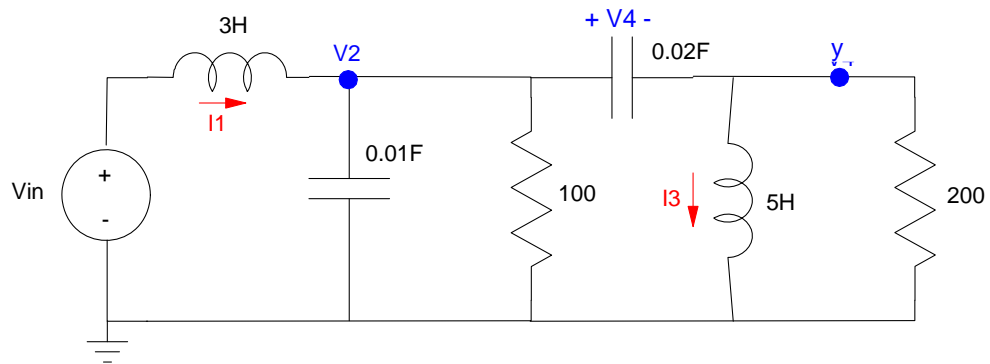
**Problem 1:** Find the transfer function from  $V_0$  to  $V_3$  using state-space methods.

**Problem 2:** Find the transfer function from  $V_0$  to  $V_2$



Problem 1 & 2

**Problem 3:** Find the transfer function from  $V_{in}$  to  $y$  using state-space methods



Problem 3