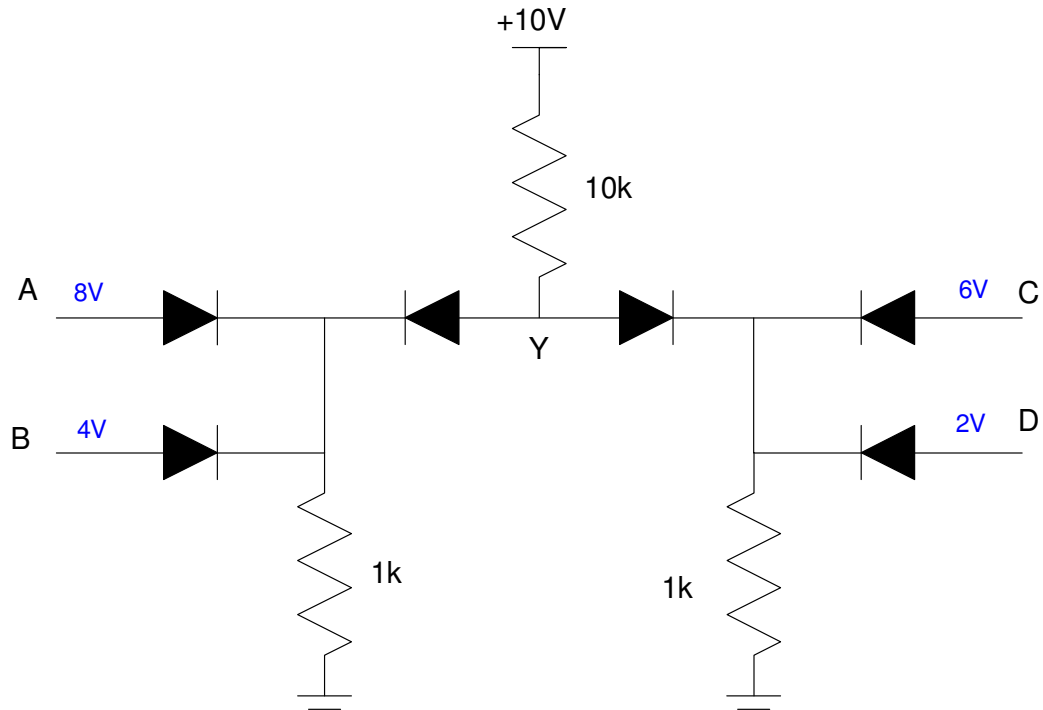


ECE 320: Handout #9

Max / Min Circuits

Determine the voltages and currents. Assume ideal silicon diodes ($V_f = 0.7V$)

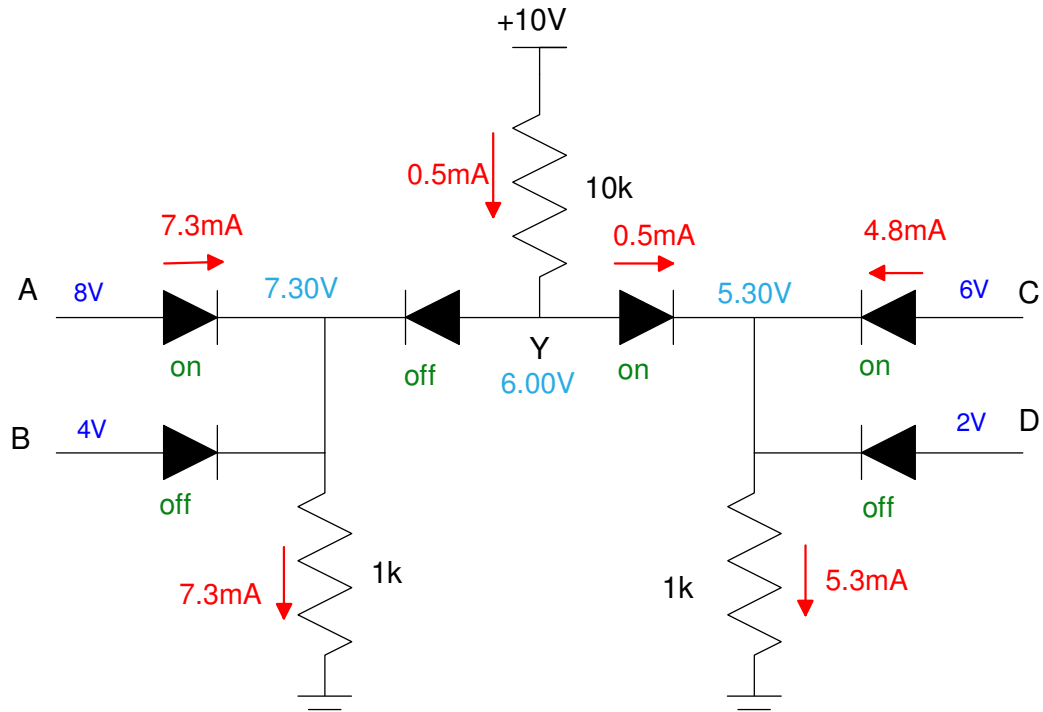


Solution

Determine the voltages and currents. Assume ideal silicon diodes ($V_f = 0.7V$)

Find the voltages first (blue)

- Only one diode can be on (A or B, C or D).
- Diodes which are off must have $V_d < 0.7V$
- Diodes which are on must have $I_d > 0$



•
•