
Complex Numbers and Phasors

ECE 320 Electronics I

Jake Glower - Lecture #2

Complex Numbers:

Define

$$j = \sqrt{-1}$$

$$j^2 = -1$$

$$e^{j\theta} = \cos \theta + j \sin \theta$$

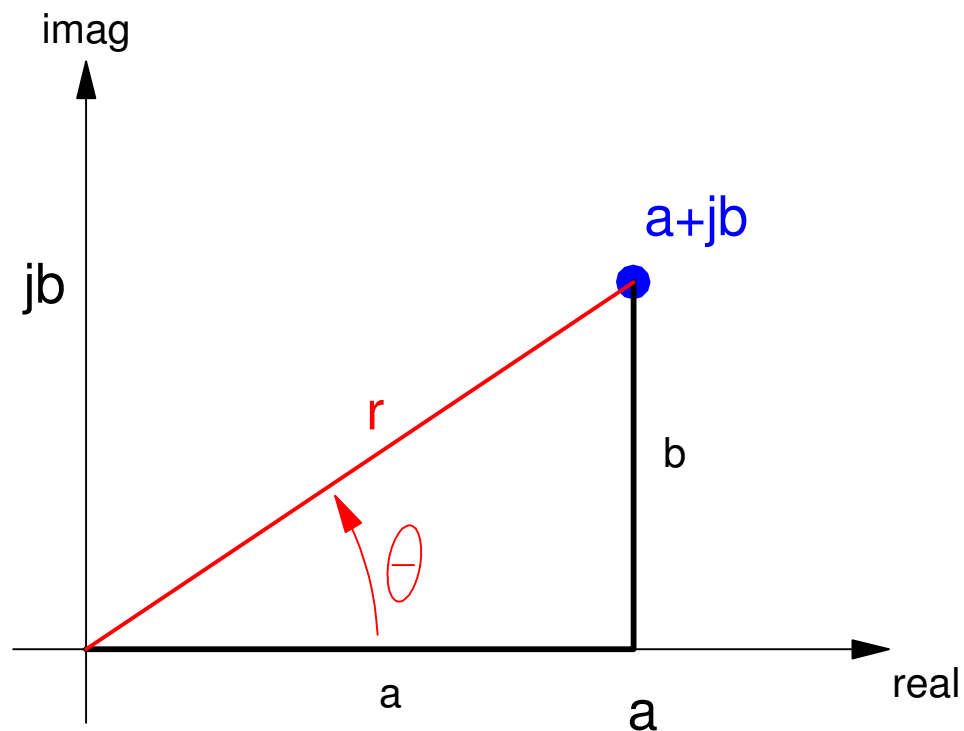
Complex numbers have 2 terms:

- Rectangular Form

$$X = a + jb$$

- Polar Form

$$X = r \angle \theta = r; e^{j\theta}$$



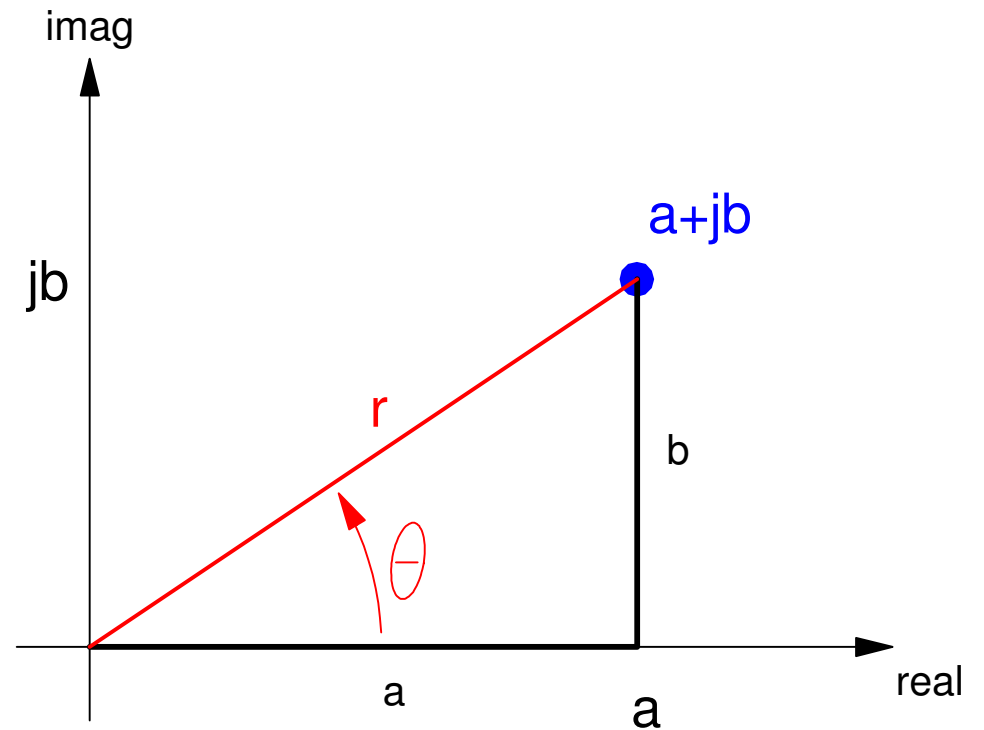
Conversion polar to rectangular:

$$a = r \cdot \cos \theta$$

$$b = r \cdot \sin \theta$$

$$r = \sqrt{a^2 + b^2}$$

$$\theta = \arctan\left(\frac{b}{a}\right)$$



A few more definitions:

$$\text{real}(a + jb) = a$$

$$\text{imag}(a + jb) = b$$

$$|r\angle\theta| = r = \sqrt{a^2 + b^2} \quad \text{magnitude}$$

$$\angle(r\angle\theta) = \theta = \arctan\left(\frac{b}{a}\right) \quad \text{angle}$$

$$(a + jb)^* = (a - jb) \quad \text{complex conjugate}$$

Note

$$(a + jb)(a - jb) = a^2 + b^2 = r^2$$

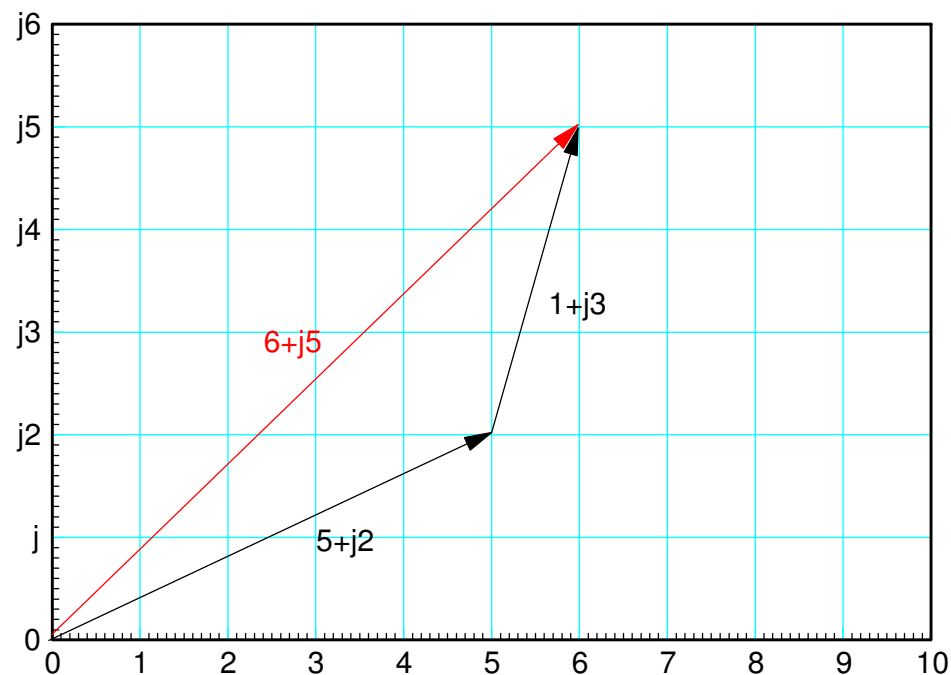
Algebra with Complex Numbers

- Real parts add, Complex parts add

$$(a + jb) + (c + jd) = (a + c) + j(b + d)$$

$$(a + jb) - (c + jd) = (a - c) + j(b - d)$$

$$(5 + j2) + (1 + j3) = 6 + j5$$



Multiplication:

$$(a + jb) \cdot (c + jd) = (ac - bd) + j(ad + bc)$$

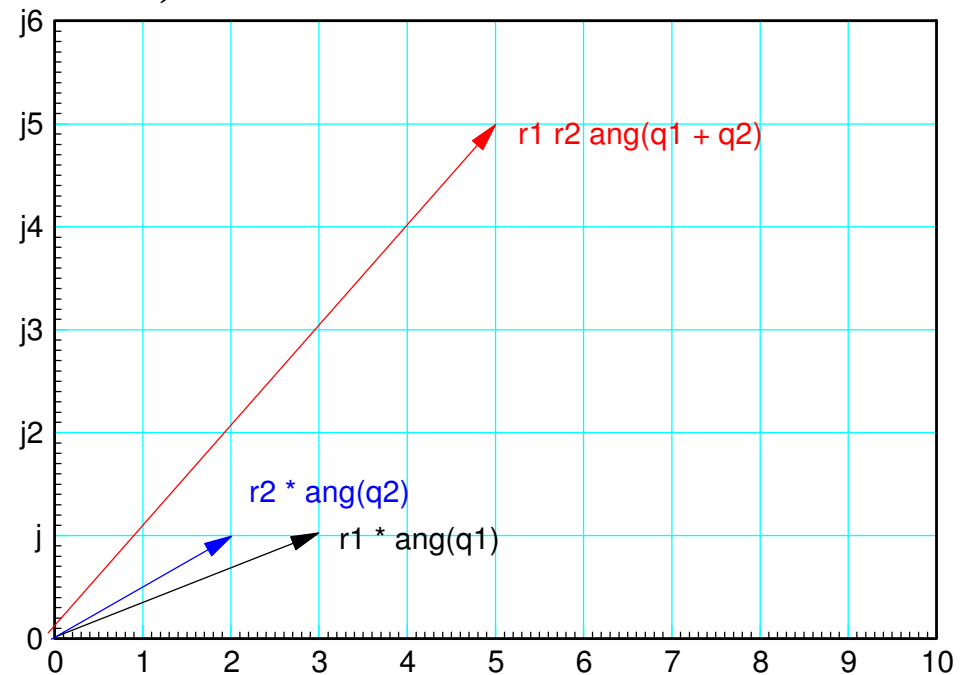
$$(r_1 \angle \theta_1) \cdot (r_2 \angle \theta_2) = r_1 r_2 \angle (\theta_1 + \theta_2)$$

Example

$$(3 + j1)(2 + j1) = (3.16 \angle 18.4^\circ)(2.23 \angle 26.6^\circ)$$

$$= 7.07 \angle 45^\circ$$

$$= 5 + j5$$



Division:

Rectangular Form

$$\begin{aligned}\left(\frac{a+jb}{c+jd}\right) &= \left(\frac{a+jb}{c+jd}\right) \left(\frac{c-jd}{c-jd}\right) \\ &= \left(\frac{(ac-bd)+j(bc-ad)}{c^2+d^2}\right) \\ &= \left(\frac{ac-bd}{c^2+d^2}\right) + j\left(\frac{bc-ad}{c^2+d^2}\right)\end{aligned}$$

Polar Form

$$\left(\frac{r_1 \angle \theta_1}{r_2 \angle \theta_2}\right) = \left(\frac{r_1}{r_2}\right) \angle (\theta_1 - \theta_2)$$

Euler's Identity: From

$$e^{jx} = \cos(x) + j \sin(x)$$

you can derive Euler's Identity:

$$\cos(x) = \left(\frac{e^{jx} + e^{-jx}}{2} \right)$$

$$\sin(x) = \left(\frac{e^{jx} - e^{-jx}}{2j} \right)$$

A cosine function is composed of a complex exponential and its complex conjugate

- Important in communications
 - A sine wave has two components: $+j\omega$ and $-j\omega$
 - Upper side band and lower side band
-

Phasors:

- Represent a sine wave with a single complex number, and
- Represent the impedance of capacitors and inductors for sinusoidal inputs.

$$e^{j\omega t} = \cos(\omega t) + j \sin(\omega t)$$

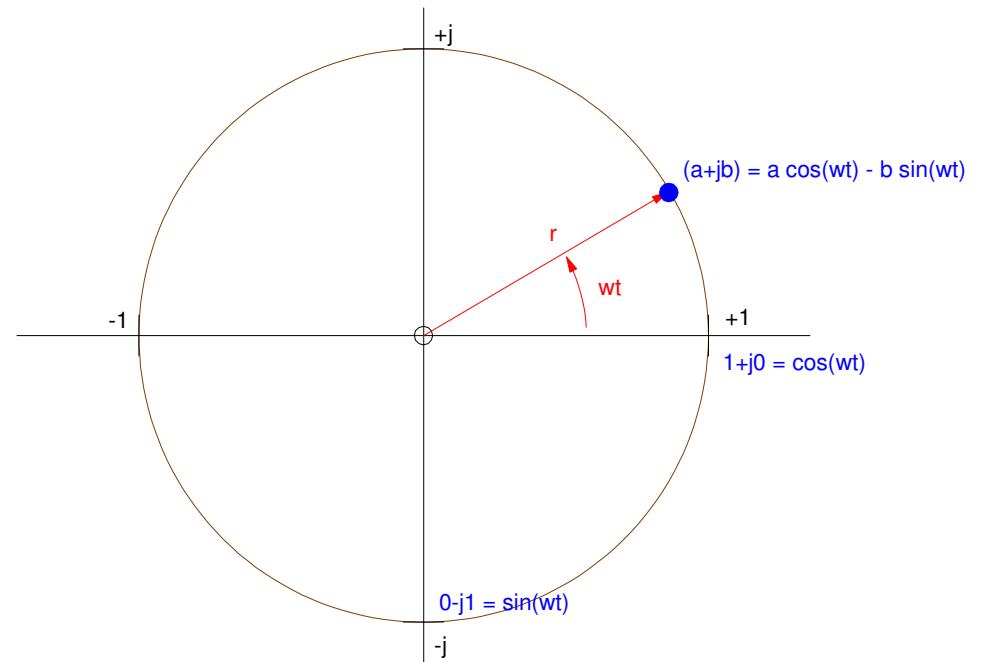
$$\text{real}(e^{j\omega t}) = \cos(\omega t)$$

$$1 \Leftrightarrow \cos(\omega t)$$

$$\begin{aligned}(a + jb)e^{j\omega t} &= (a + jb)(\cos(\omega t) + j \sin(\omega t)) \\ &= (a \cos(\omega t) - b \sin(\omega t)) + j(\dots)\end{aligned}$$

$$a + jb \Leftrightarrow a \cos(\omega t) - b \sin(\omega t)$$

$$r \angle \theta \Leftrightarrow r \cos(\omega t + \theta)$$



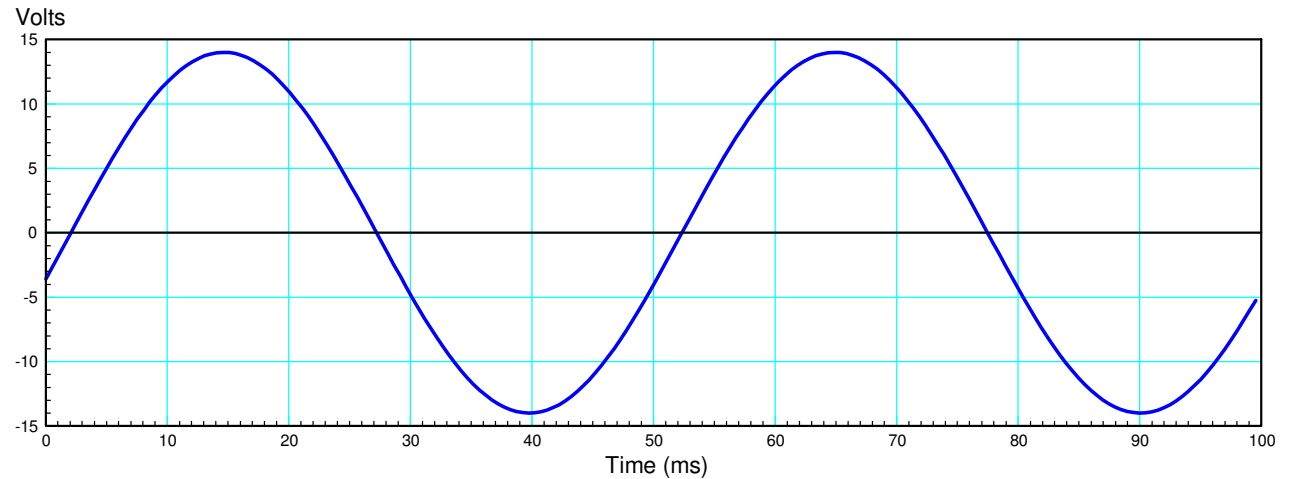
Phasor Voltages

Rectangular Form

- Real = cosine
- -Imag = sine

Polar Form

- Amplitude = amplitude
- Delay = - phase



Example: Determine

- The frequency and
 - The phasor representation for V
 - (handout problem #1)
-

Complex Impedances

Resistors: $Z = R$

$$V = IR$$

Capacitors: $Z = \left(\frac{1}{j\omega C}\right)$

$$I = C \frac{dV}{dt} = C \frac{d}{dt}(e^{j\omega t})$$

$$I = j\omega C V$$

Inductors: $Z = j\omega L$

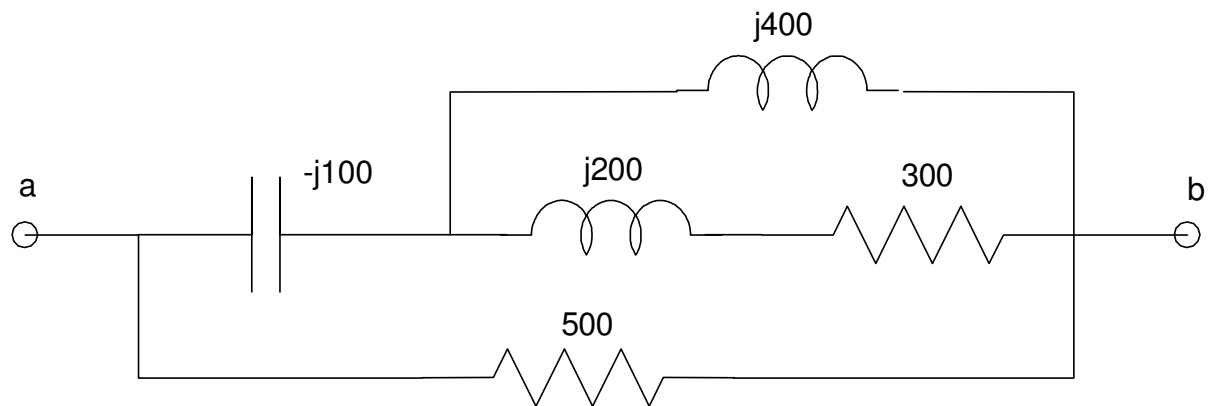
$$V = L \frac{dI}{dt} = L \frac{d}{dt}(e^{j\omega t})$$

Circuit Analysis with Phasors

- AC is just like DC analysis - only now with complex numbers

Example: Determine R_{ab}

- handout problem #2



Example: Determine $y(t)$

$$\omega = 20 \text{ rad/sec}$$

$$V_{in} \Rightarrow 10 + j0$$

$$C \Rightarrow \frac{1}{j\omega C} = -j50$$

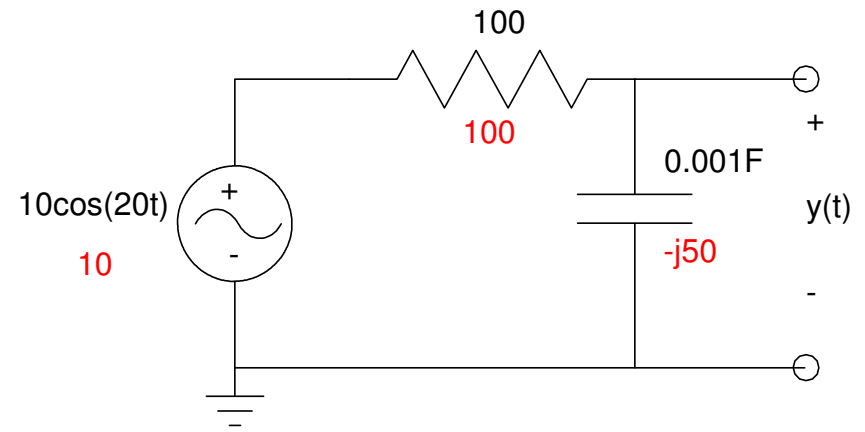
By voltage division

$$Y = \left(\frac{-j50}{-j50 + 100} \right) (10 + j0)$$

$$Y = 2 - j4 = 4.472 \angle -63.43^\circ$$

$$y(t) = 2 \cos(20t) + 4 \sin(20t)$$

$$y(t) = 4.472 \cos(20t - 63.43^\circ)$$



Checking in Circuitlab:

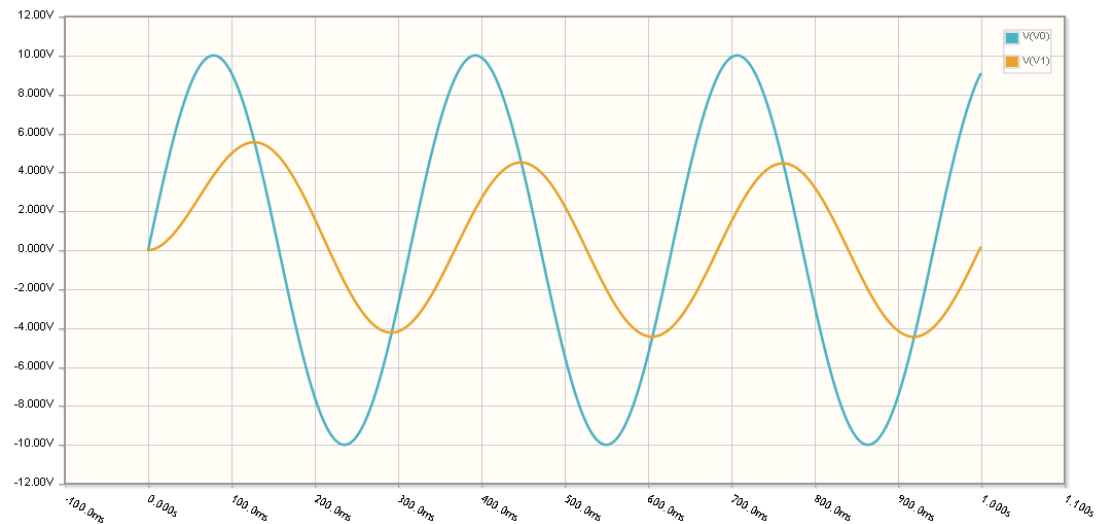
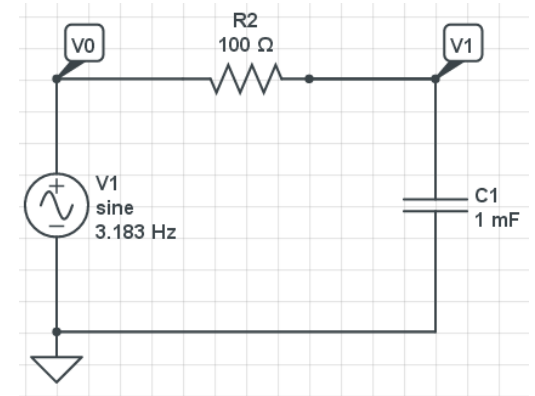
Output (Orange)

- Peak = 4.472V
- Delay = 17% of one cycles (63 degrees)

Note:

- Rectangular form is easier for calculations
- Polar form is easier in lab

Both are equivalent



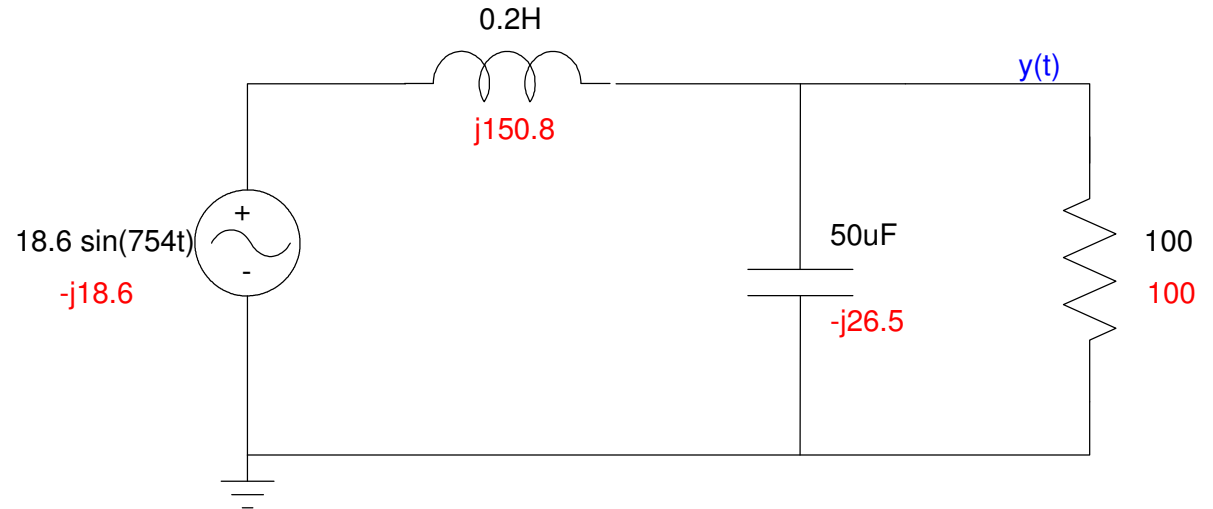
Example 2: Determine $y(t)$

$$\omega = 754 \text{ rad/sec}$$

$$V_{in} = 0 - j18.6$$

$$0.2H \Rightarrow j\omega L = j150.8\Omega$$

$$50\mu F \Rightarrow \frac{1}{j\omega C} = -j26.5\Omega$$



$$-j26.5 \parallel 100 = \left(\frac{1}{-j26.5} + \frac{1}{100} \right)^{-1} = 25.64 \angle -75.14^\circ$$

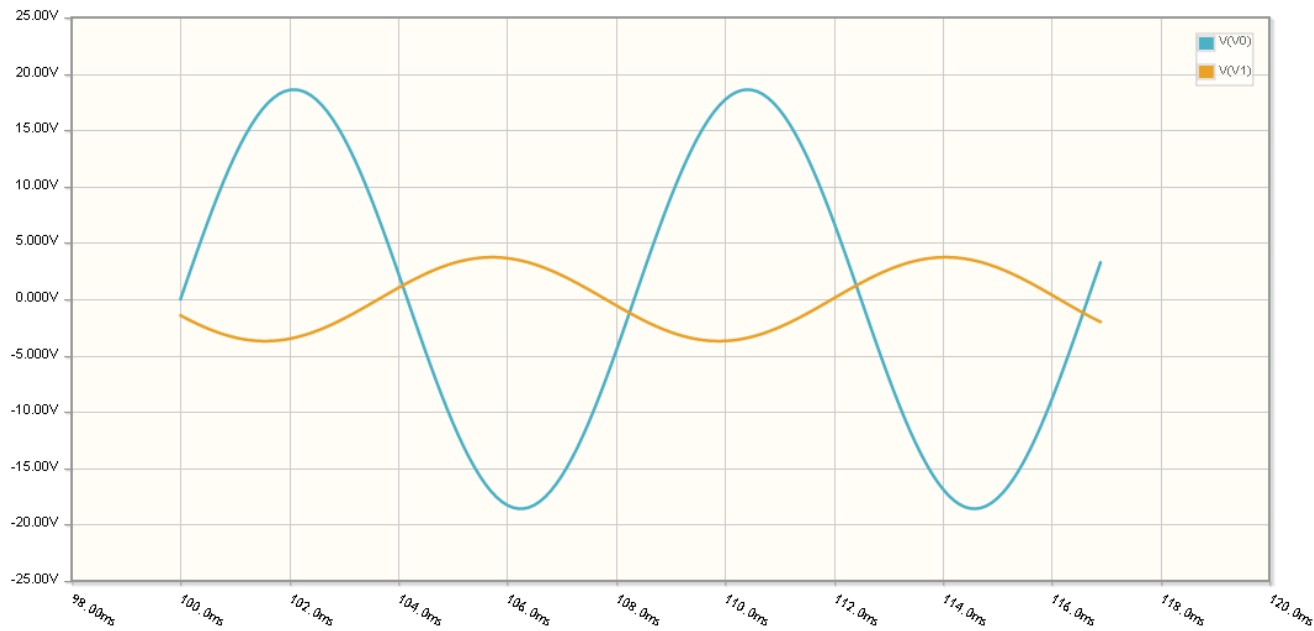
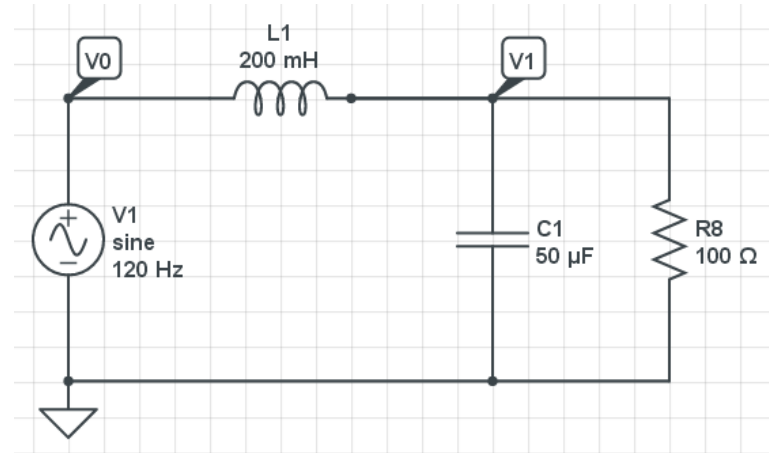
$$Y = \left(\frac{25.64 \angle -75.14^\circ}{25.64 \angle -75.14^\circ + j150.8} \right) \cdot (-j18.6)$$

$$Y = 3.779 \angle 107.8^\circ$$

$$y(t) = 3.779 \cos(754t + 107.8^\circ)$$

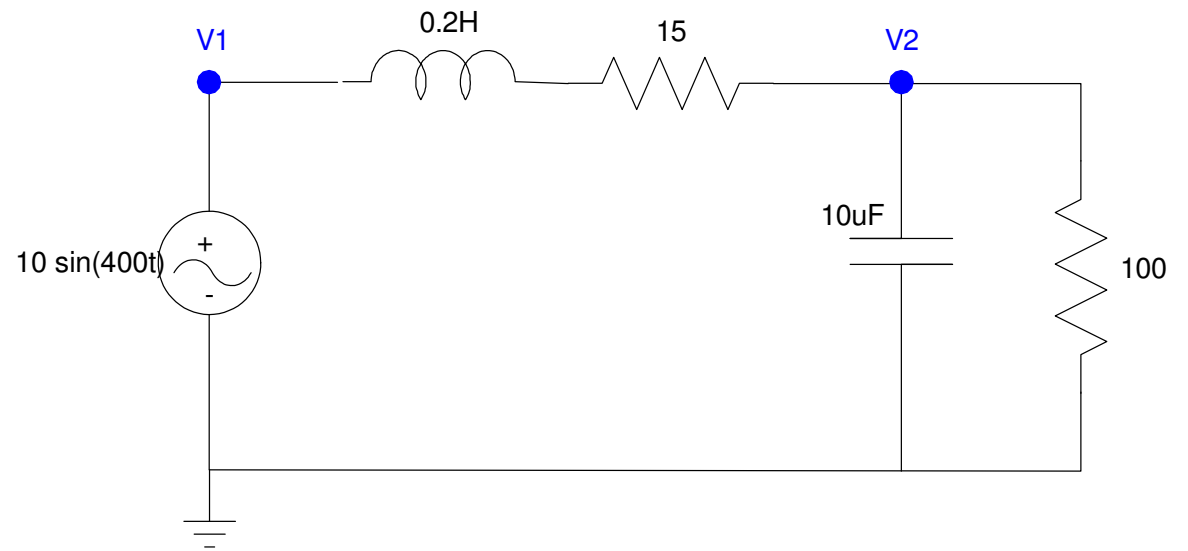
Checking in Circuitlab

- Orange = $V_1(t)$
- Peak = 3.779V
- Delay = 70% of a period (-252 degrees)



Example: Find $V_2(t)$

- handout problem #3



Summary

AC analysis of circuits is just like DC analysis, only with complex numbers

Phasor Voltages

- real = cosine
- -imag = sine

Phasor impedances

- $R \rightarrow R$
 - $L \rightarrow j\omega L$
 - $C \rightarrow \frac{1}{j\omega C} = \frac{-j}{\omega C}$
-