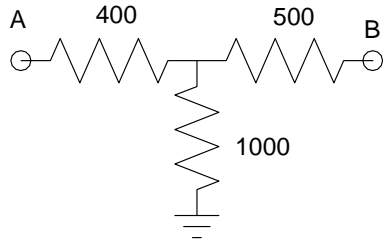


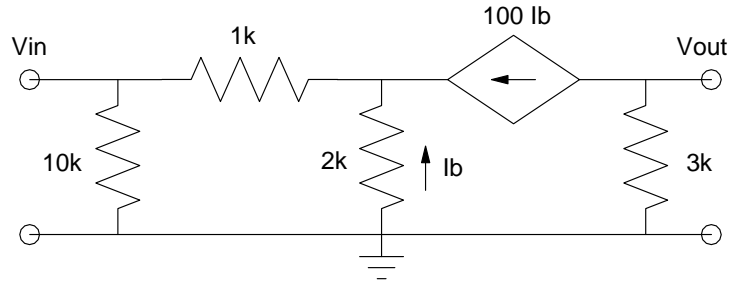
# ECE 321 - Homework #4

2-Port Models, DC Analysis of Transistor Amplifiers. Due Monday, November 27th, 2017

- 1) Determine the 2-port model for the following circuit.
- 2) Determine the 2-port model for the following circuit.

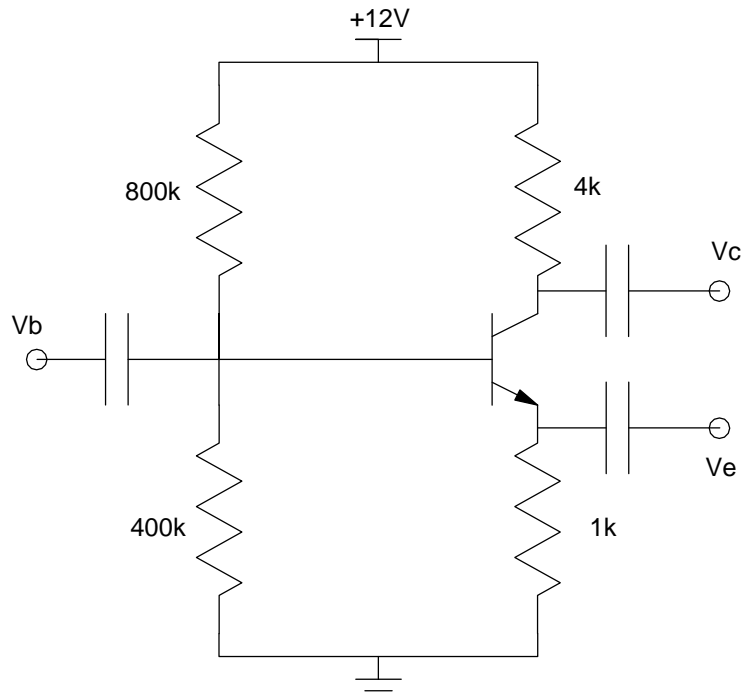


Problem 1



Problem 2

- 3) Determine the Q-point for the following circuit. Assume a 3904 transistor ( $\beta = 200$ )
- 4) Modify this circuit so that
  - The Q-point is  $V_{ce} = 6.0V$
  - The Q-point is stabilized for variations in  $\beta$



Problem 3 & 4